

ReVent®



with **SheetLock®**
INSTALLS IN HALF THE TIME

Bright 4K LED lighting illuminates your room similar to natural lighting.

The Humidity Sensing control turns on the fan when humidity is present and off when the room is dry, while the shield adds a subtle designer look to any room.

Bright White LED, High Airflow, Low Sound.

Adjustable LED lighting

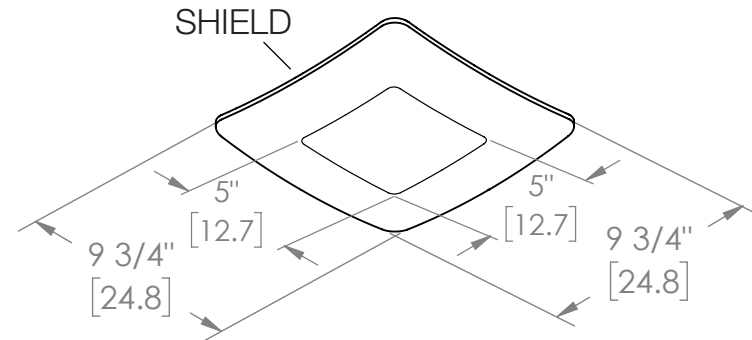
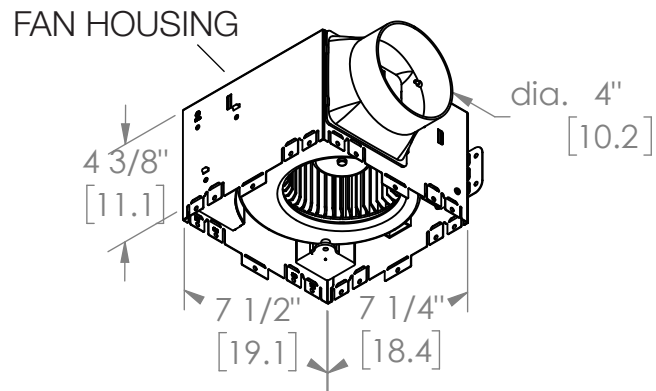
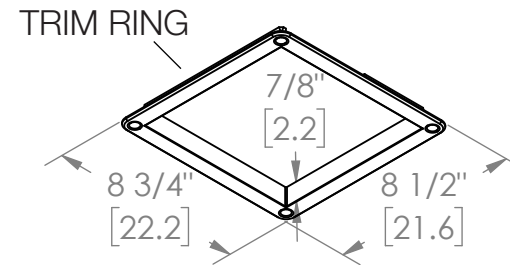
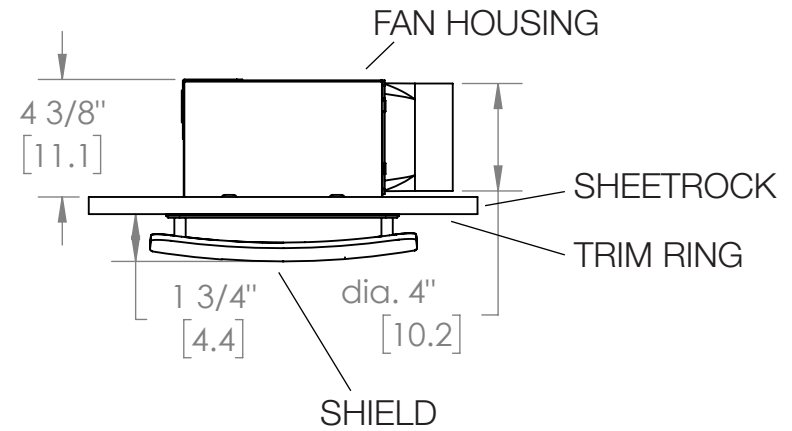
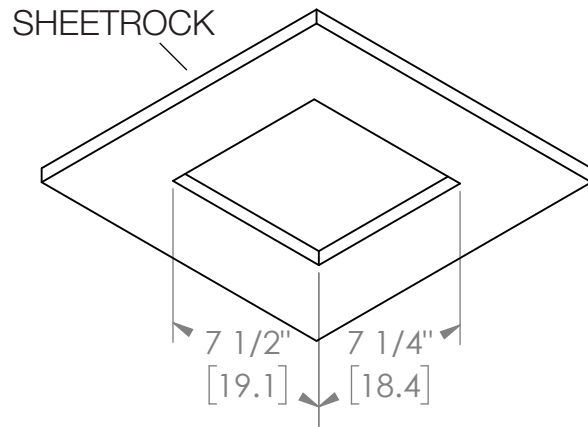


MODEL	CFM	SONE	LUMENS	SELECTABLE COLOR TEMP				
RVLH50	50	0.5	1000*	2700, 4000, or 5000 K	✓	✓	✓	✓
RVLH70	70	0.9	1000*	2700, 4000, or 5000 K	✓	✓	✓	✓
RVLH80	80	0.8	1000*	2700, 4000, or 5000 K	✓	✓	✓	✓
RVLH110	110	1.3	1000*	2700, 4000, or 5000 K	✓	✓	✓	✓
RVLH150	150	1.2	1000*	2700, 4000, or 5000 K	✓	✓	✓	✓

*900 lumens when set to 2700K

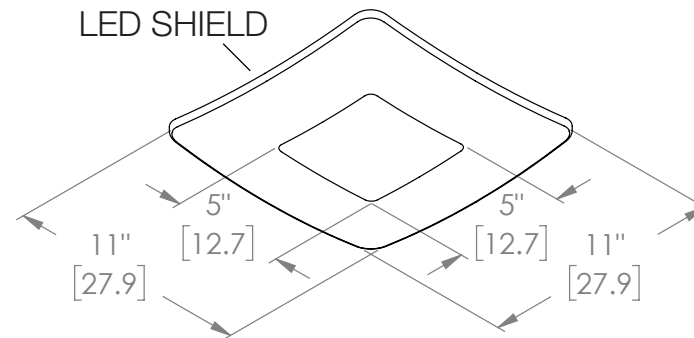
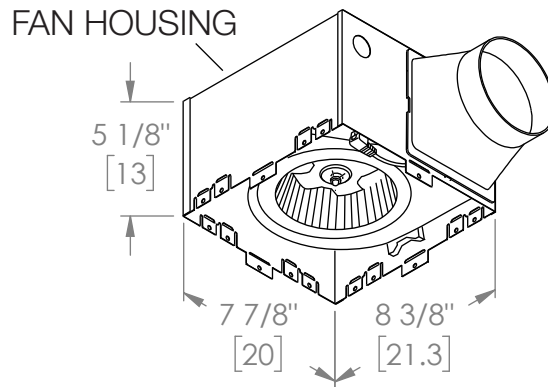
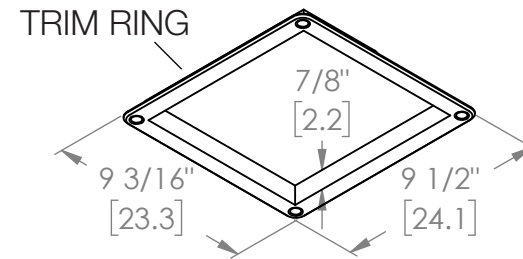
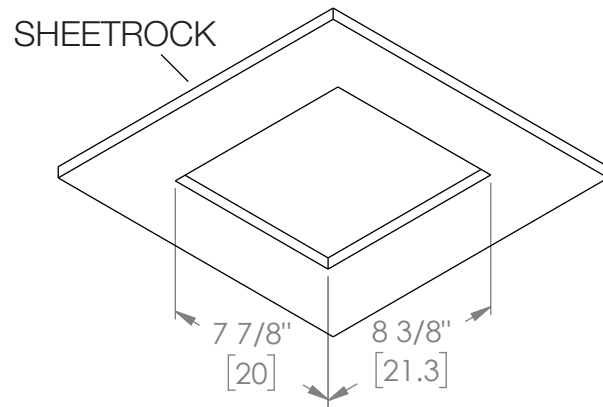
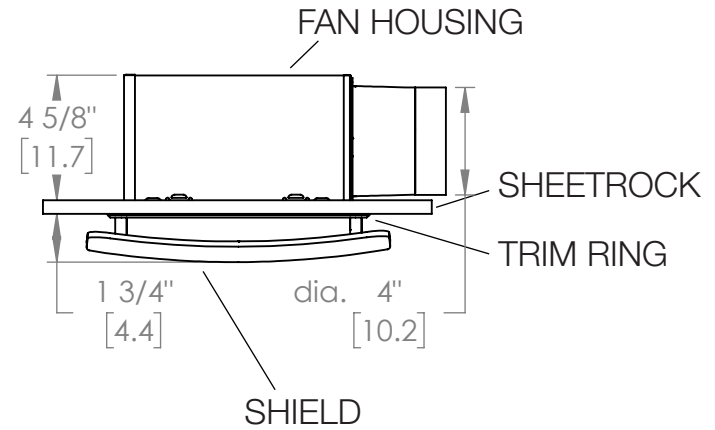
ReVent®

DETAILED DIMENSIONS 50/70 CFM MODELS



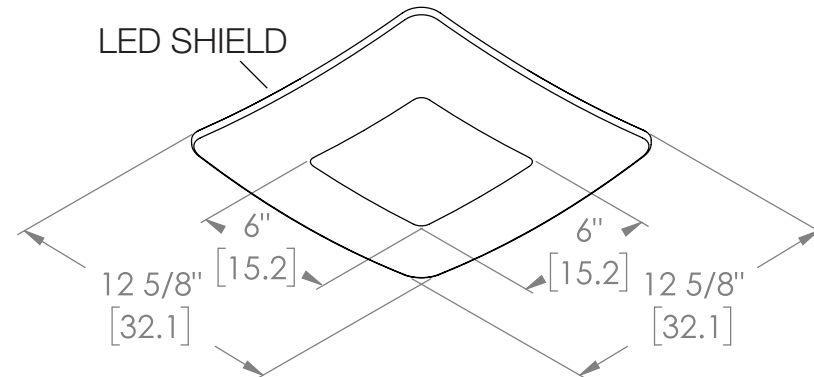
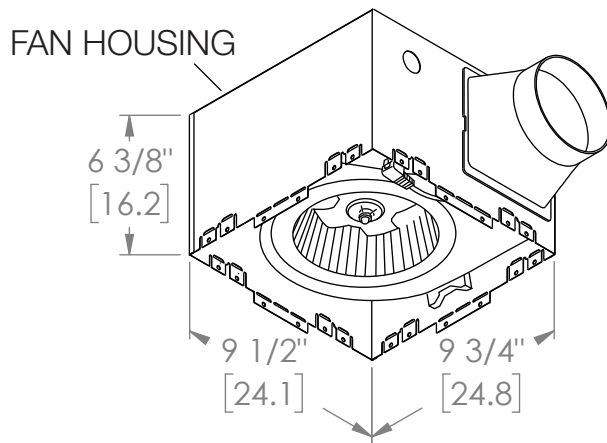
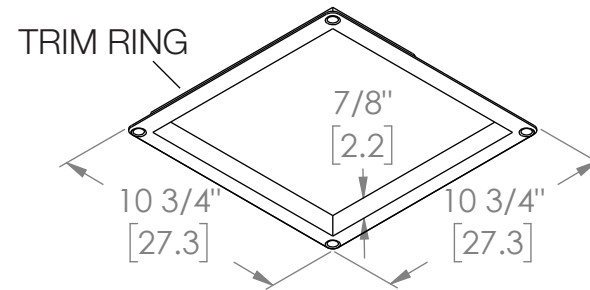
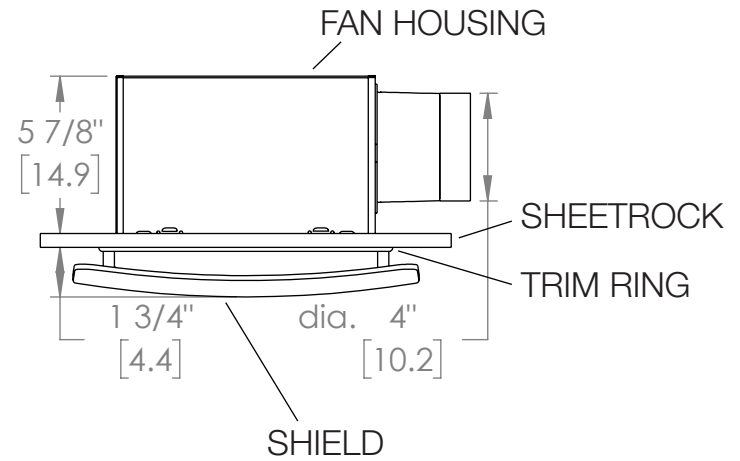
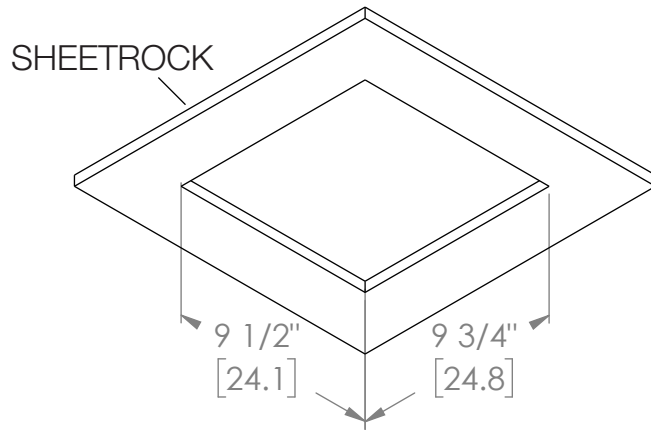
ReVent®

DETAILED DIMENSIONS 80 CFM MODEL



ReVent®

DETAILED DIMENSIONS 110 CFM MODEL



ReVent®

DETAILED DIMENSIONS 150 CFM MODEL

