

# ReVent<sup>®</sup>







with **SheetLock<sup>®</sup>**  
 INSTALLS IN HALF THE TIME

The Humidity Sensing control turns on the fan when humidity is present and off when the room is dry, while the shield adds a subtle designer look to any room.

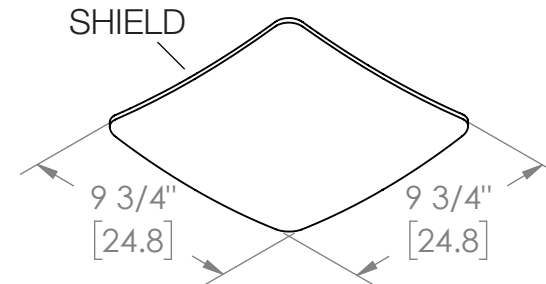
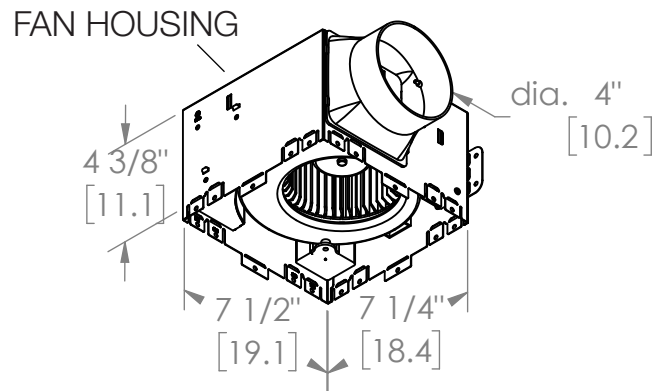
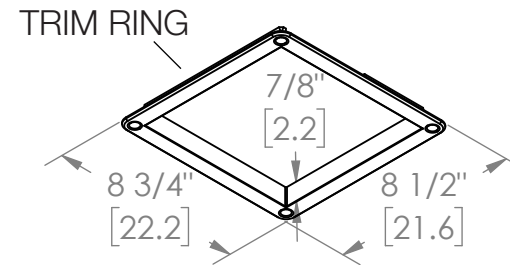
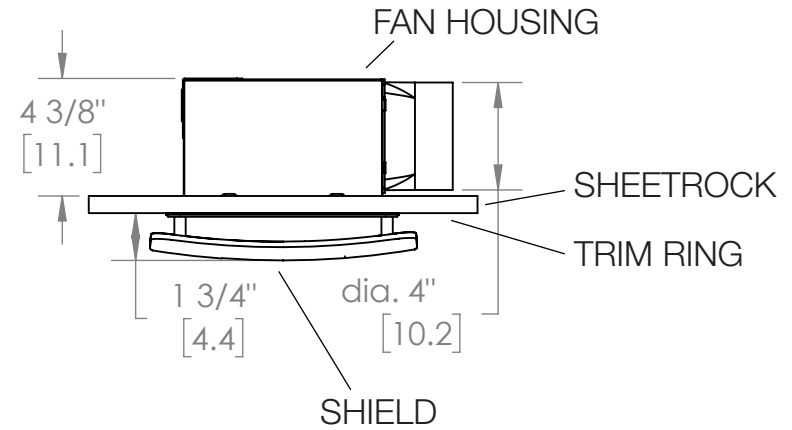
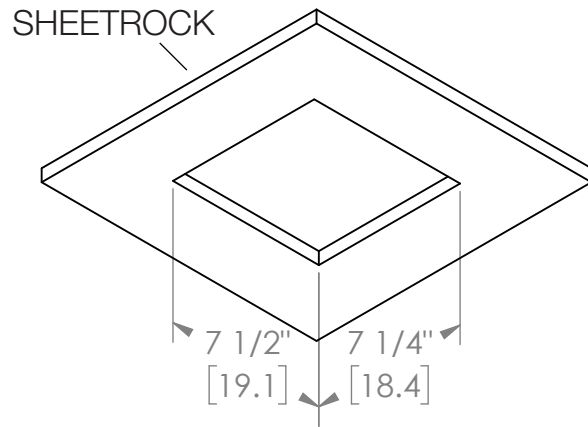
High Airflow, Low Sound.



MODEL	CFM	SONE				
RVSH50	50	0.5	✓	✓	✓	✓
RVSH70	70	0.9	✓	✓	✓	✓
RVSH80	80	0.7	✓	✓	✓	✓
RVSH110	110	1.3	✓	✓	✓	✓
RVSH150	150	1.3	✓	✓	✓	✓

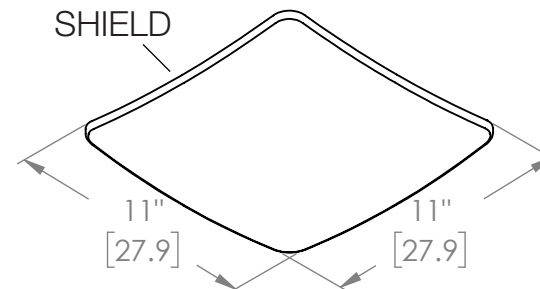
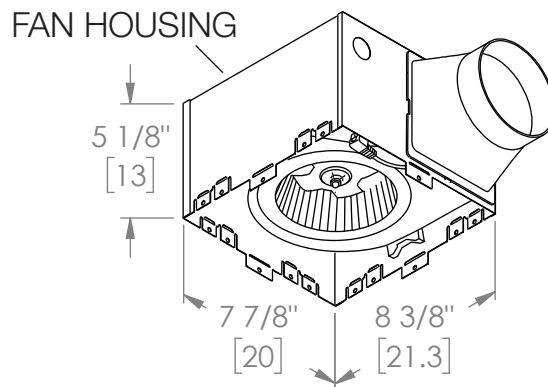
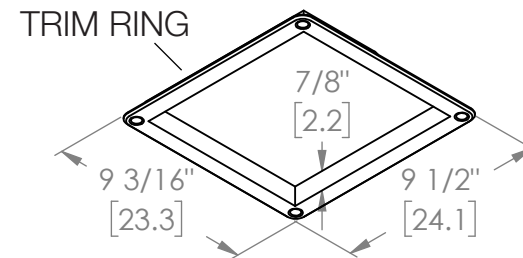
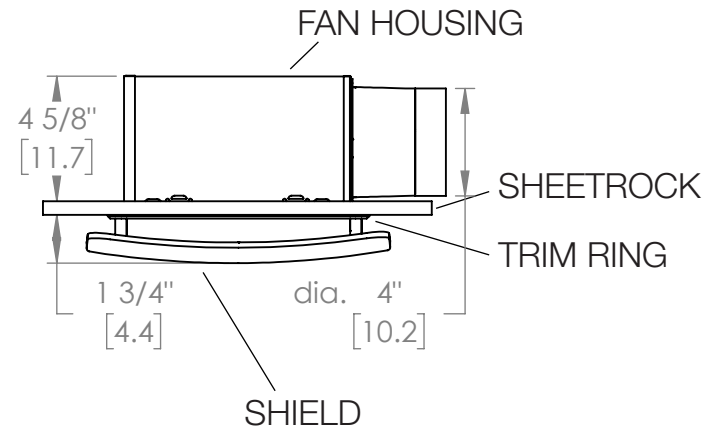
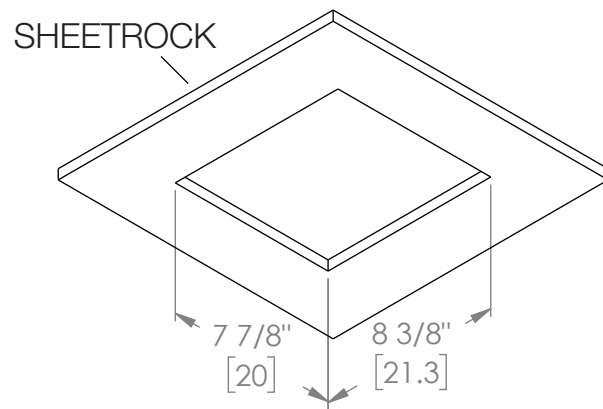
# ReVent®

## DETAILED DIMENSIONS 50/70 CFM MODELS



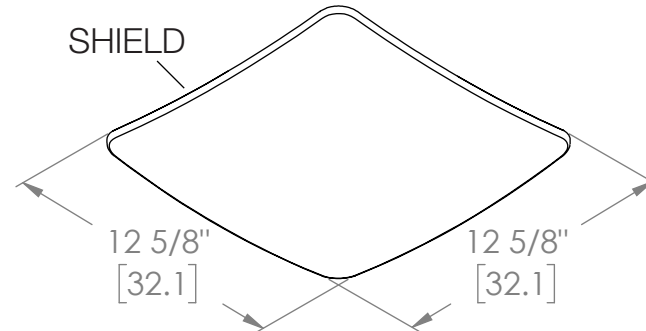
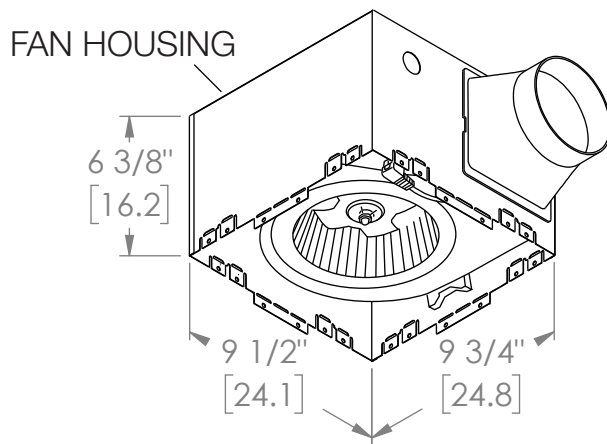
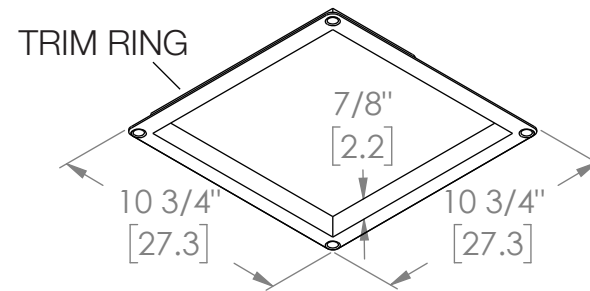
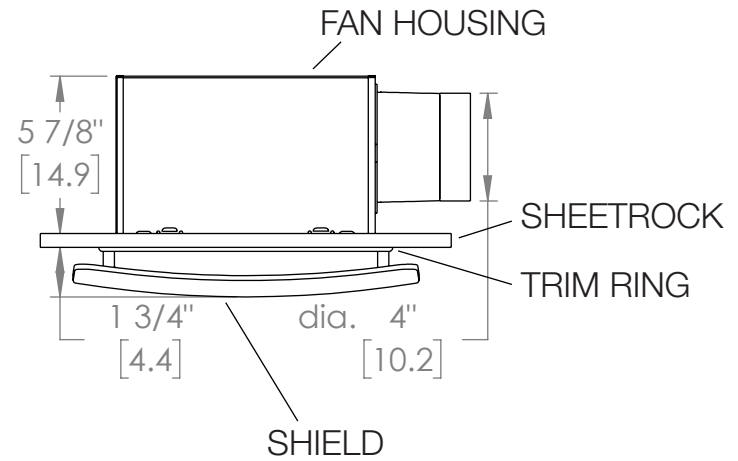
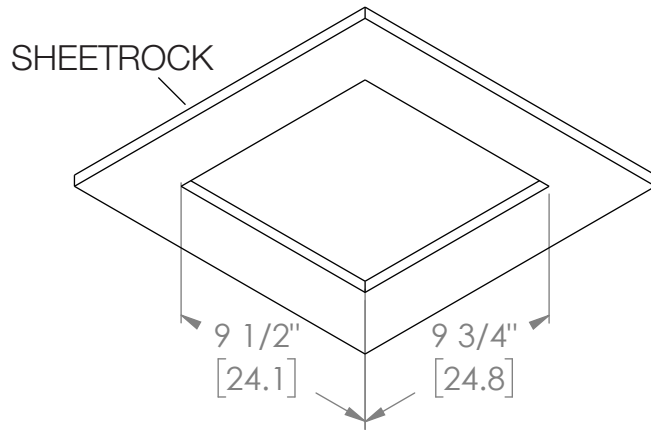
# ReVent®

## DETAILED DIMENSIONS 80 CFM MODEL



# ReVent®

## DETAILED DIMENSIONS 110 CFM MODEL



# ReVent®

## DETAILED DIMENSIONS 150 CFM MODEL

