

# ReVent®

## Ventilation Fans

# 110 CFM

### ReVent Ventilation Fan

**Model** - RVS110

**Performance** - High airflow 110 CFM, low sound 0.9 sone

**Contractor 4-Packs** -  
Rough In RVS110-4PR  
Finish RVS110-4PF



### ReVent with LED Lighting

**Model** - RVL110

**Performance** - High airflow 110 CFM, low sound 0.8 sone

**LED** - Adjustable, 900L, 1000L, 1000L, 2.7K, 4K, 5K, dimmable




### ReVent with Humidity Sensing

**Model** - RVSH110

**Performance** - High airflow 110 CFM, low sound 0.9 sone

**Humidity** - Automatically turns fan on when moisture is present and off when dry 

**Min/Hour Timer** - Can be set 0-60 minutes, runs fan for set time every hour 




### ReVent with LED Lighting and Humidity Sensing

**Model** - RVLH110

**Performance** - High airflow 110 CFM, low sound 0.8 sone

**LED** - Adjustable, 900L, 1000L, 1000L, 2.7K, 4K, 5K, dimmable

**Humidity** - Automatically turns fan on when moisture is present and off when dry 

**Min/Hour Timer** - Can be set 0-60 minutes, runs fan for set time every hour 



SPECIFICATIONS	Models	RVS110, RVL110, RVSH110, RVLH110
	Exhaust Diameter	4 in (10.2 cm)
	Voltage (volts)	120V
	Frequency (hertz)	60Hz
	Power (watts)	28.6W (non-lighting), 28.5 W (lighting)
	Air Flow at 0.1 CW	110 CFM
	Noise (sones)	0.9 Sone (non-lighting), 0.8 Sone (lighting)
	Shield Size	12 5/8 x 12 5/8 in (32.1 x 32.1 cm)
	Opening Length	9 3/4 in (24.8 cm)
	Opening Width	9 1/2 in (24.1 cm)
	Housing Length	9 3/4 in (24.8 cm)
Housing Width	9 1/2 in (24.1 cm)	
Housing Depth	6 3/8 in (16.2 cm)	

LIGHTING MODELS	
Models	RVL110, RVLH110
Brightness (lumens)	900, 1000, or 1000L
Color Temp (kelvin)	2700, 4000, or 5000K
Power (watts)	13W

### performance at 4" ducting

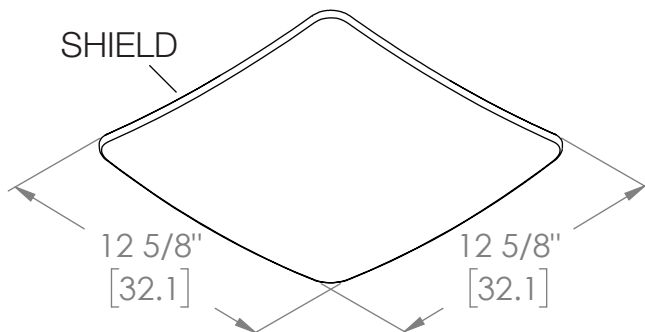
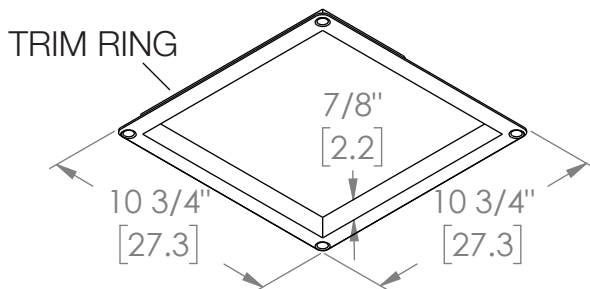
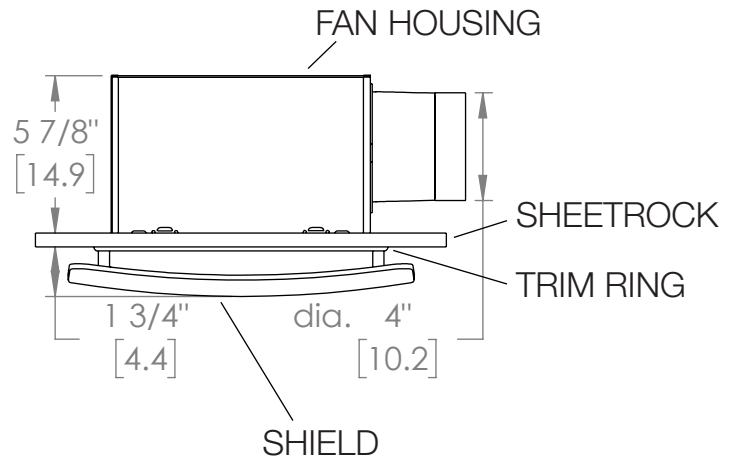
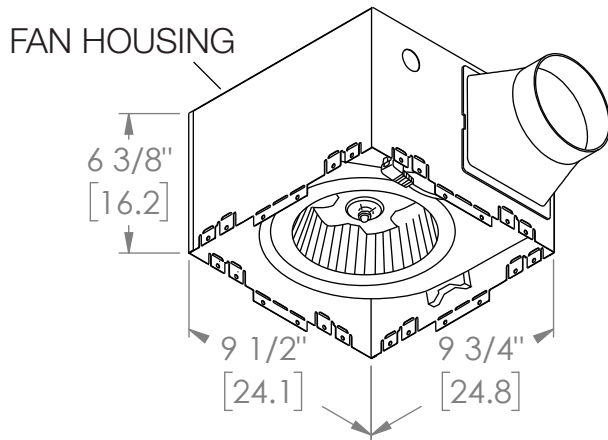
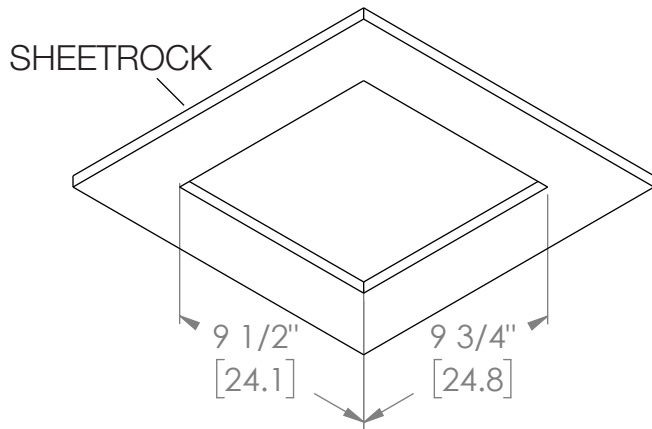
Static Pressure (in wg)	Airflow (cfm)	Sound (sones)	Energy (watts)	Duct Size
<b>RVS110, RVSH110</b>				
0.1	110	0.9	28.6	4 in
0.25	95		28	4 in
<b>RVL110, RVLH110</b>				
0.1	110	0.8	28.5	4 in
0.25	95		28	4 in

Product of GTR Technologies Inc. All rights reserved.  
USA Patent No. US 9,360,228 B2. Other USA and international patents pending.

1-360-876-2974  
1420 Lumsden Road  
Port Orchard, WA 98367

May be used to comply with





**ReVent®**  
Ventilation Fans

THIS DRAWING IS THE PROPERTY OF GTR TECHNOLOGY INC. AND TRANSMITTED IN CONFIDENCE. THE REPRODUCTION, USE, OR DISCLOSURE, IN WHOLE OR IN PART, OF THE DESIGN AND DETAILS CONTAINED HEREIN IS PROHIBITED WITHOUT THE WRITTEN PERMISSION OF GTR TECHNOLOGY INC.

PART #

**RVS110, RVL110,  
RVSH110, RVLH110**

# Model: RVS110-4PR

## Contractor Pack: Rough In Pack

Packaging - Box of 4



4 - Fan Housings



4 - Paint and Texture Mask



4 - Mounting Bracket Sets



4 - 4" to 6" Duct Adaptors

# Model: RVS110-4PF

## Contractor Pack: Finish Pack

Packaging - Box of 4



4 - Shields, Trim Rings, Motors



4 - Manuals



4 - Screw Kits



4 - Shields



4 - Motors