

# ReVent®

## Ventilation Fans

# 150 CFM

### ReVent Ventilation Fan

**Model** - RVS150

**Performance** - High airflow 150 CFM, low sound 1.3 sone



### ReVent with LED Lighting

**Model** - RVL150

**Performance** - High airflow 150 CFM, low sound 1.2 sone

**LED** - Pure white, 900L, 1000L, 1000L, 2.7K, 4K, 5K, dimmable



### ReVent with Humidity Sensing

**Model** - RVSH150

**Performance** - High airflow 150 CFM, low sound 1.3 sone

**Humidity** - Automatically turns fan on when moisture is present and off when dry

**Min/Hour Timer** - Can be set 0-60 minutes, runs fan for set time every hour



### ReVent with LED Lighting and Humidity Sensing

**Model** - RVLH150

**Performance** - High airflow 150 CFM, low sound 1.2 sone

**LED** - Pure white, 900L, 1000L, 1000L, 2.7K, 4K, 5K, dimmable

**Humidity** - Automatically turns fan on when moisture is present and off when dry

**Min/Hour Timer** - Can be set 0-60 minutes, runs fan for set time every hour



SPECIFICATIONS	Models	RVS150, RVL150, RVSH150, RVLH150
	Exhaust Diameter	6 in (15.24 cm)
	Voltage (volts)	120V
	Frequency (hertz)	60Hz
	Power (watts)	37.5W
	Air Flow at 0.1 CW	150 CFM
	Noise (sones)	1.3 Sone (non-lighting), 1.2 Sone (lighting)
	Shield Size	13 3/8" x 13 3/8" in (34 x 34 cm)
	Opening Length	10 1/2" in (26.7 cm)
	Opening Width	10 1/2" in (26.7 cm)
	Housing Length	10 1/2" in (26.7 cm)
Housing Width	10 1/2" in (26.7 cm)	
Housing Depth	6 3/4" in (17.1 cm)	

LIGHTING MODELS	
Models	RVL150, RVLH150
Brightness (lumens)	900, 1000, or 1000L
Color Temp (kelvin)	2700, 4000, or 5000K
Power (watts)	14W

### performance at 6" ducting

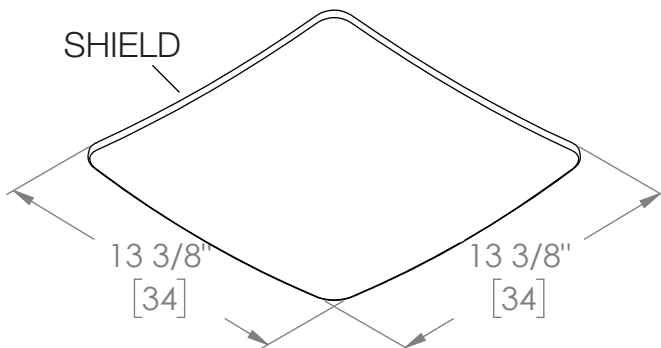
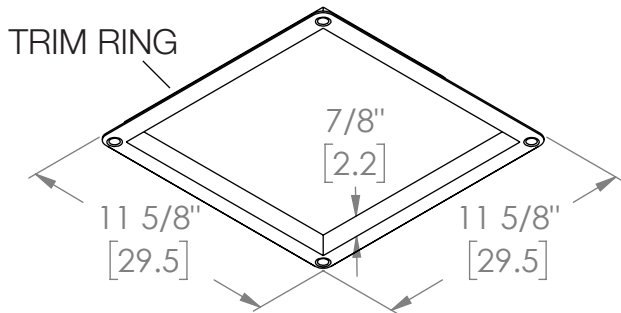
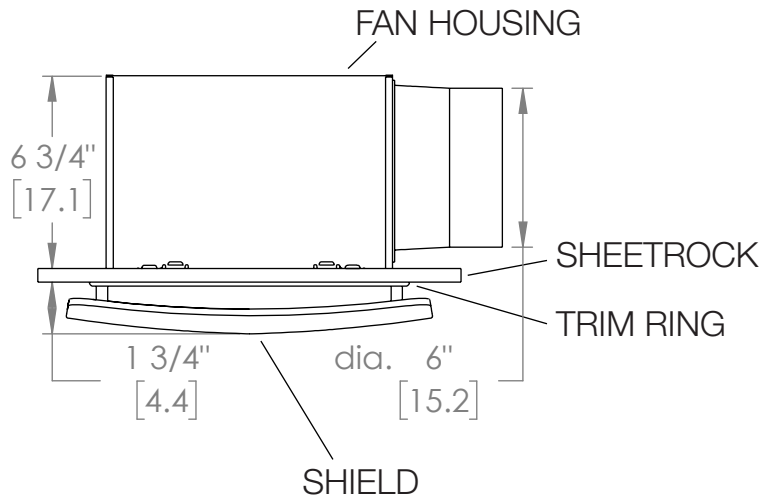
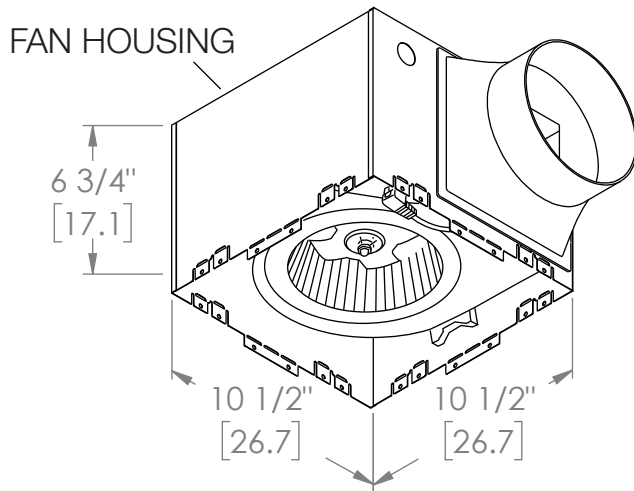
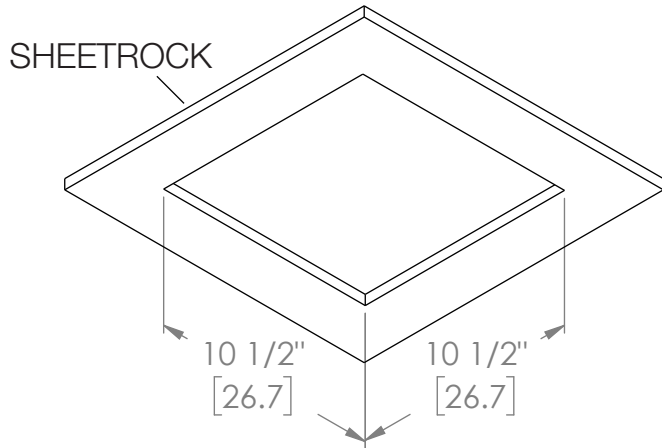
Static Pressure (in wg)	Airflow (cfm)	Sound (sones)	Energy (watts)	Duct Size
<b>RVS150, RVSH150</b>				
0.1	150	1.3	37.5	6 in
0.25	116		36.7	6 in
<b>RVL150, RVLH150</b>				
0.1	150	1.2	37.5	6 in
0.25	111		36.7	6 in

Product of GTR Technologies Inc. All rights reserved.  
USA Patent No. US 9,360,228 B2. Other USA and international patents pending.

1-360-876-2974  
1420 Lumsden Road  
Port Orchard, WA 98367

May be used to comply with





**ReVent®**  
Ventilation Fans

THIS DRAWING IS THE PROPERTY OF GTR TECHNOLOGY INC. AND TRANSMITTED IN CONFIDENCE. THE REPRODUCTION, USE, OR DISCLOSURE, IN WHOLE OR IN PART, OF THE DESIGN AND DETAILS CONTAINED HEREIN IS PROHIBITED WITHOUT THE WRITTEN PERMISSION OF GTR TECHNOLOGY INC.

PART #

**RVS150, RVL150,  
RVSH150, RVLH150**