

ReVent®

Ventilation Fans

50 CFM

ReVent Ventilation Fan

Model - RVS50

Performance - High airflow 50 CFM, low sound 0.5 sones



ReVent with LED Lighting

Model - RVL50

Performance - High airflow 50 CFM, low sound 0.5 sones

LED - Pure white, 900L, 1000L, 1000L, 2.7K, 4K, 5K, dimmable




ReVent with Humidity Sensing

Model - RVSH50

Performance - High airflow 50 CFM, low sound 0.5 sones

Humidity - Automatically turns fan on when moisture is present and off when dry 

Min/Hour Timer - Can be set 0-60 minutes, runs fan for set time every hour 



ReVent with LED Lighting and Humidity Sensing

Model - RVLH50

Performance - High airflow 50 CFM, low sound 0.5 sones

LED - Pure white, 900L, 1000L, 1000L, 2.7K, 4K, 5K, dimmable

Humidity - Automatically turns fan on when moisture is present and off when dry 

Min/Hour Timer - Can be set 0-60 minutes, runs fan for set time every hour 



SPECIFICATIONS	Models	RVS50, RVL50, RVSH50, RVLH50
	Exhaust Diameter	4 in (10.2 cm)
	Voltage (volts)	120V
	Frequency (hertz)	60Hz
	Power (watts)	5.7 W (non-lighting), 5.9 W (lighting)
	Air Flow at 0.1 CW	50 CFM
	Noise (sones)	0.5 Sones
	Shield Size	9 3/4 x 9 3/4 in (24.8 x 24.8 cm)
	Opening Length	7 1/4 in (18.4 cm)
	Opening Width	7 1/2 in (19.1 cm)
	Housing Length	7 1/4 in (18.4 cm)
Housing Width	7 1/2 in (19.1 cm)	
Housing Depth	4 3/8 in (11.1 cm)	

LIGHTING MODELS	
Models	RVL50, RVLH50
Brightness (lumens)	900, 1000, or 1000L
Color Temp (kelvin)	2700, 4000, or 5000K
Power (watts)	13W

performance at 4" and 3" ducting

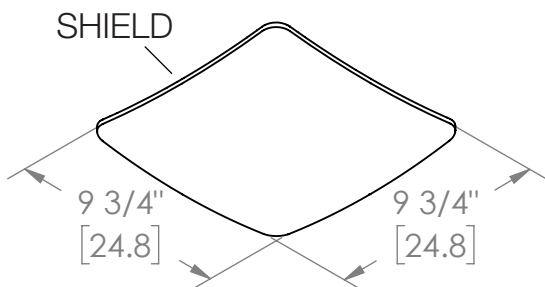
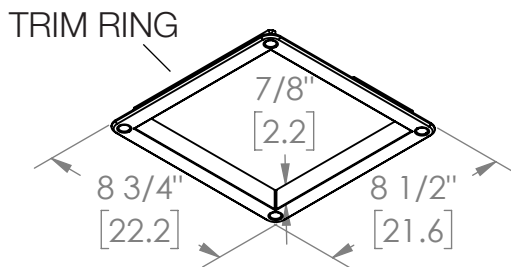
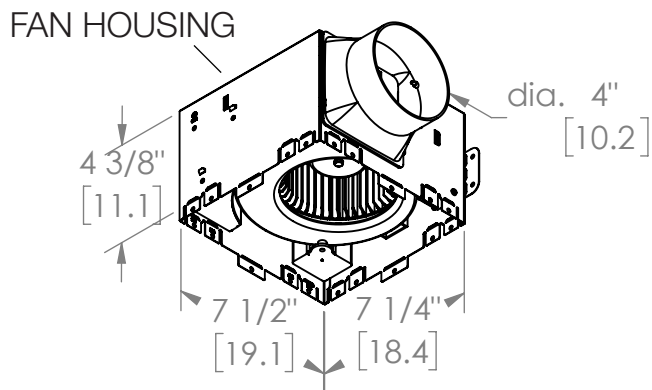
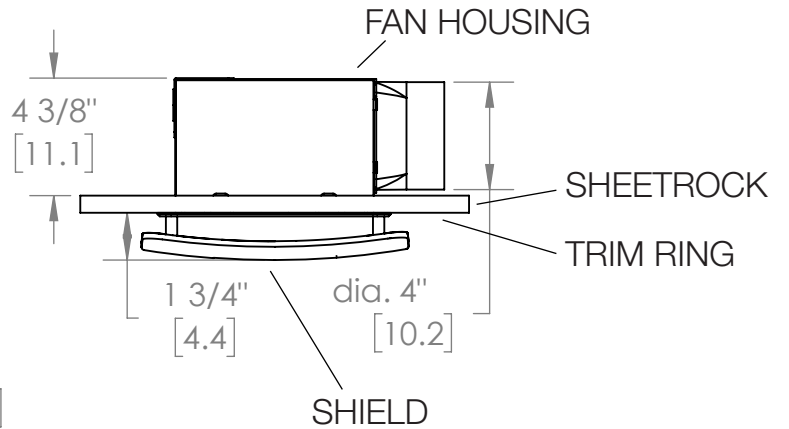
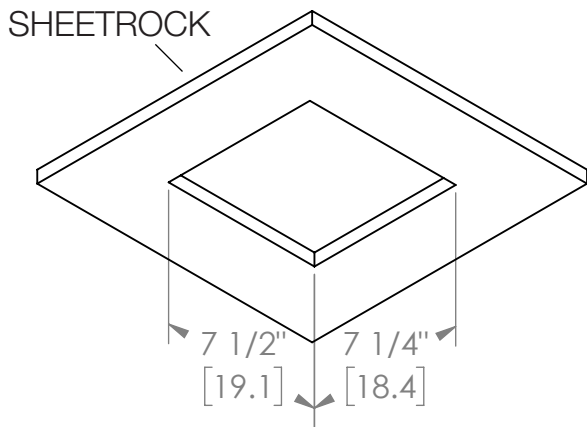
Static Pressure (in wg)	Airflow (cfm)	Sound (sones)	Energy (watts)	Duct Size
RVS50, RVSH50				
0.1	50	0.5	5.7	4 in
0.25	48		9.6	4 in
0.1	50	0.5	6.8	3 in
0.25	46		9.8	3 in
RVL50, RVLH50				
0.1	50	0.5	5.9	4 in
0.25	41	0.7	7.5	4 in
0.1	50	0.5	5.5	3 in
0.25	42	1.2	7.4	3 in

Product of GTR Technologies Inc. All rights reserved.
USA Patent No. US 9,360,228 B2. Other USA and international patents pending.

1-360-876-2974
1420 Lumsden Road
Port Orchard, WA 98367

May be used to comply with





ReVent®
Ventilation Fans

THIS DRAWING IS THE PROPERTY OF GTR TECHNOLOGY INC. AND TRANSMITTED IN CONFIDENCE. THE REPRODUCTION, USE, OR DISCLOSURE, IN WHOLE OR IN PART, OF THE DESIGN AND DETAILS CONTAINED HEREIN IS PROHIBITED WITHOUT THE WRITTEN PERMISSION OF GTR TECHNOLOGY INC.

PART #

**RVS50, RVL50,
RVSH50, RVLH50**

ReVent®

Ventilation Fans

70 CFM

ReVent Ventilation Fan

Model - RVS70

Performance - High airflow 70 CFM, low sound 0.9 sones



ReVent with LED Lighting

Model - RVL70

Performance - High airflow 70 CFM, low sound 0.9 sones

LED - Pure white, 900L, 1000L, 1000L, 2.7K, 4K, 5K, dimmable




ReVent with Humidity Sensing

Model - RVSH70

Performance - High airflow 70 CFM, low sound 0.9 sones

Humidity - Automatically turns fan on when moisture is present and off when dry 

Min/Hour Timer - Can be set 0-60 minutes, runs fan for set time every hour 



ReVent with LED Lighting and Humidity Sensing

Model - RVLH70

Performance - High airflow 70 CFM, low sound 0.9 sones

LED - Pure white, 900L, 1000L, 1000L, 2.7K, 4K, 5K, dimmable

Humidity - Automatically turns fan on when moisture is present and off when dry 

Min/Hour Timer - Can be set 0-60 minutes, runs fan for set time every hour 



SPECIFICATIONS	Models	RVS70, RVL70, RVSH70, RVLH70
	Exhaust Diameter	4 in (10.2 cm)
	Voltage (volts)	120V
	Frequency (hertz)	60Hz
	Power (watts)	8.2 W (non-lighting), 7.9 W (lighting)
	Air Flow at 0.1 CW	70 CFM
	Noise (sones)	0.9 Sones
	Shield Size	9 3/4 x 9 3/4 in (24.8 x 24.8 cm)
	Opening Length	7 1/4 in (18.4 cm)
	Opening Width	7 1/2 in (19.1 cm)
	Housing Length	7 1/4 in (18.4 cm)
Housing Width	7 1/2 in (19.1 cm)	
Housing Depth	4 3/8 in (11.1 cm)	

LIGHTING MODELS	
Models	RVL70, RVLH70
Brightness (lumens)	900, 1000, or 1000L
Color Temp (kelvin)	2700, 4000, or 5000K
Power (watts)	13W

performance at 4" and 3" ducting

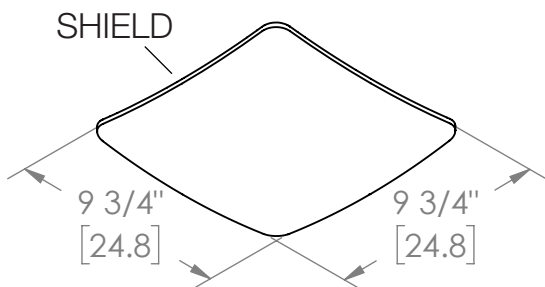
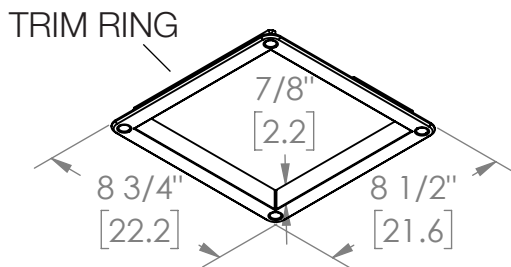
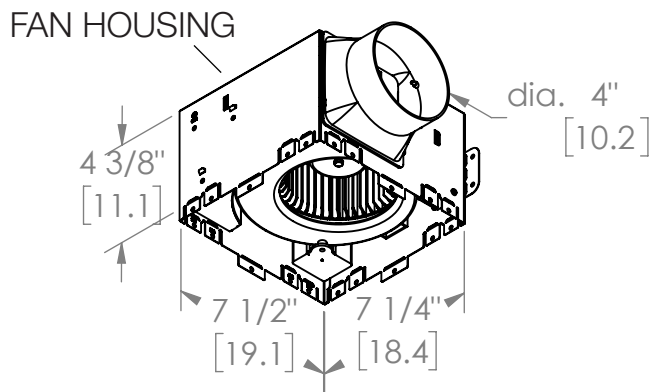
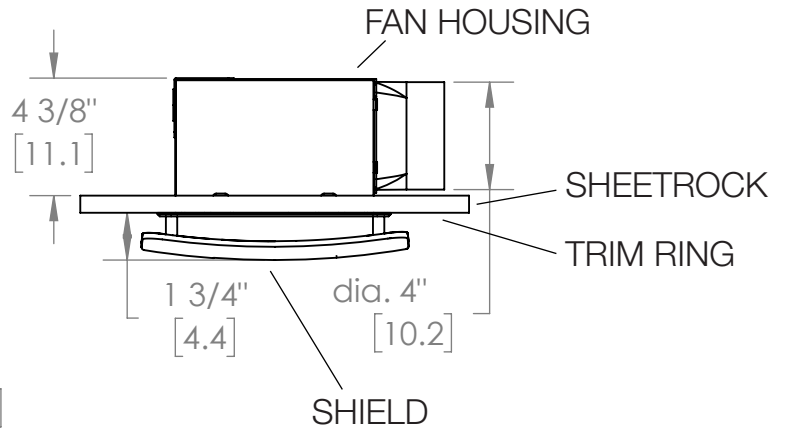
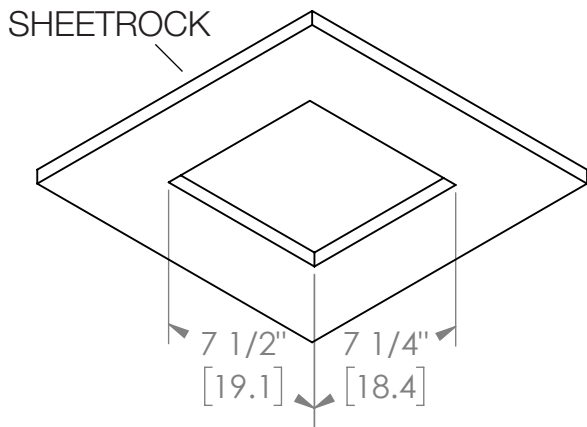
Static Pressure (in wg)	Airflow (cfm)	Sound (sones)	Energy (watts)	Duct Size
RVS70, RVSH70				
0.1	70	0.9	8.2	4 in
0.25	60	1.2	11	4 in
0.1	70	1.3	10.2	3 in
0.25	56	1.4	10.4	3 in
RVL70, RVLH70				
0.1	70	0.9	7.9	4 in
0.25	60		11.1	4 in
0.1	60	1.3	10.9	3 in
0.25	45		9.7	3 in

Product of GTR Technologies Inc. All rights reserved.
USA Patent No. US 9,360,228 B2. Other USA and international patents pending.

1-360-876-2974
1420 Lumsden Road
Port Orchard, WA 98367

May be used to comply with





ReVent®
Ventilation Fans

THIS DRAWING IS THE PROPERTY OF GTR TECHNOLOGY INC. AND TRANSMITTED IN CONFIDENCE. THE REPRODUCTION, USE, OR DISCLOSURE, IN WHOLE OR IN PART, OF THE DESIGN AND DETAILS CONTAINED HEREIN IS PROHIBITED WITHOUT THE WRITTEN PERMISSION OF GTR TECHNOLOGY INC.

PART #

**RVS70, RVL70,
RVSH70, RVLH70**

ReVent®

Ventilation Fans

80 CFM

ReVent Ventilation Fan

Model - RVS80

Performance - High airflow 80 CFM, low sound 0.7 sones



ReVent with LED Lighting

Model - RVL80

Performance - High airflow 80 CFM, low sound 0.8 sones

LED - Pure white, 900L, 1000L, 1000L, 2.7K, 4K, 5K, dimmable




ReVent with Humidity Sensing

Model - RVSH80

Performance - High airflow 80 CFM, low sound 0.7 sones

Humidity - Automatically turns fan on when moisture is present and off when dry 

Min/Hour Timer - Can be set 0-60 minutes, runs fan for set time every hour 



ReVent with LED Lighting and Humidity Sensing

Model - RVLH80

Performance - High airflow 80 CFM, low sound 0.8 sones

LED - Pure white, 900L, 1000L, 1000L, 2.7K, 4K, 5K, dimmable

Humidity - Automatically turns fan on when moisture is present and off when dry 

Min/Hour Timer - Can be set 0-60 minutes, runs fan for set time every hour 



SPECIFICATIONS	Models	RVS80, RVL80, RVSH80, RVLH80
	Exhaust Diameter	4 in (10.2 cm)
	Voltage (volts)	120V
	Frequency (hertz)	60Hz
	Power (watts)	19.9 W (non-lighting), 20 W (lighting)
	Air Flow at 0.1 CW	80 CFM
	Noise (sones)	0.7 Sones (non-lighting), 0.8 Sones (lighting)
	Shield Size	11 x 11 in (27.9 x 27.9 cm)
	Opening Length	8 3/8 in (21.3 cm)
	Opening Width	7 7/8 in (20 cm)
	Housing Length	8 3/8 in (21.3 cm)
Housing Width	7 7/8 in (20 cm)	
Housing Depth	5 1/8 in (13 cm)	

LIGHTING MODELS	
Models	RVL80, RVLH80
Brightness (lumens)	900, 1000, or 1000L
Color Temp (kelvin)	2700, 4000, or 5000K
Power (watts)	13W

performance at 4" ducting

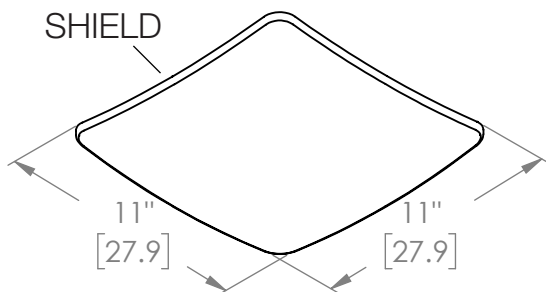
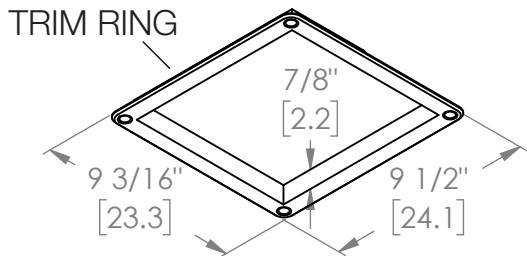
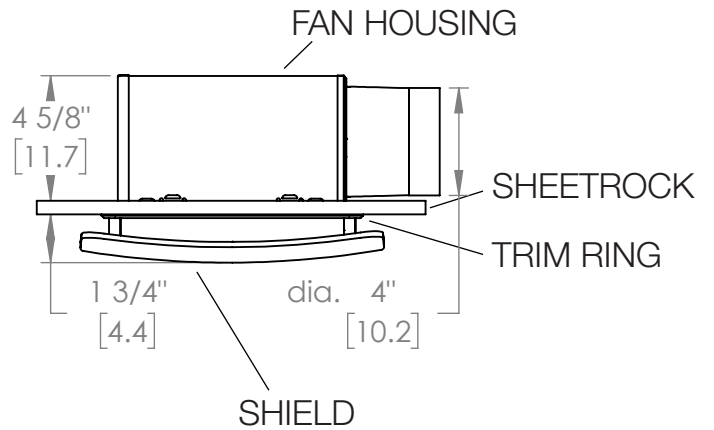
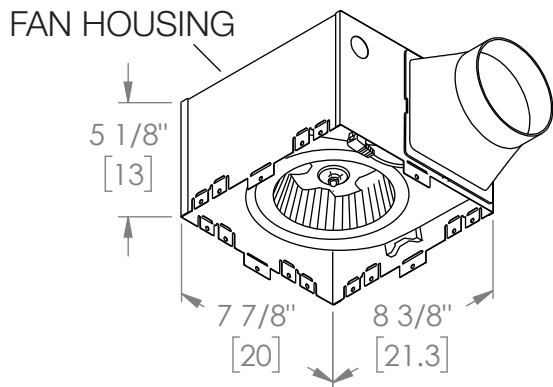
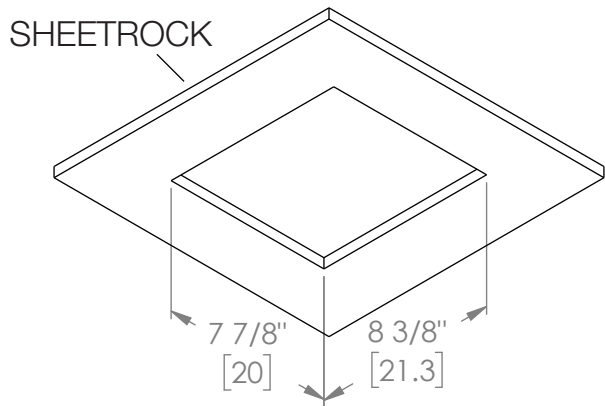
Static Pressure (in wg)	Airflow (cfm)	Sound (sones)	Energy (watts)	Duct Size
RVS80, RVSH80				
0.1	80	0.7	19.9	4 in
0.25	63		19.6	4 in
RVL80, RVLH80				
0.1	80	0.8	20	4 in
0.25	63		19.5	4 in

Product of GTR Technologies Inc. All rights reserved.
USA Patent No. US 9,360,228 B2. Other USA and international patents pending.

1-360-876-2974
1420 Lumsden Road
Port Orchard, WA 98367

May be used to comply with





ReVent®
Ventilation Fans

THIS DRAWING IS THE PROPERTY OF GTR TECHNOLOGY INC. AND TRANSMITTED IN CONFIDENCE. THE REPRODUCTION, USE, OR DISCLOSURE, IN WHOLE OR IN PART, OF THE DESIGN AND DETAILS CONTAINED HEREIN IS PROHIBITED WITHOUT THE WRITTEN PERMISSION OF GTR TECHNOLOGY INC.

PART #
**RVS80, RVL80,
RVSH80, RVLH80**

ReVent®

Ventilation Fans

90 CFM

ReVent Ventilation Fan

Model - RVS90

Performance - High airflow 90 CFM, low sound 0.7 sones



ReVent with LED Lighting

Model - RVL90

Performance - High airflow 90 CFM, low sound 0.7 sones

LED - Pure white, 900L, 1000L, 1000L, 2.7K, 4K, 5K, dimmable




ReVent with Humidity Sensing

Model - RVSH90

Performance - High airflow 90 CFM, low sound 0.7 sones

Humidity - Automatically turns fan on when moisture is present and off when dry 

Min/Hour Timer - Can be set 0-60 minutes, runs fan for set time every hour 



ReVent with LED Lighting and Humidity Sensing

Model - RVLH90

Performance - High airflow 90 CFM, low sound 0.7 sones

LED - Pure white, 900L, 1000L, 1000L, 2.7K, 4K, 5K, dimmable

Humidity - Automatically turns fan on when moisture is present and off when dry 

Min/Hour Timer - Can be set 0-60 minutes, runs fan for set time every hour 



SPECIFICATIONS	Models	RVS90, RVL90, RVSH90, RVLH90
	Exhaust Diameter	4 in (10.2 cm)
	Voltage (volts)	120V
	Frequency (hertz)	60Hz
	Power (watts)	23.2W
	Air Flow at 0.1 CW	90 CFM
	Noise (sones)	0.7 Sones
	Shield Size	12 5/8 x 12 5/8 in (32.1 x 32.1 cm)
	Opening Length	9 3/4 in (24.8 cm)
	Opening Width	9 1/2 in (24.1 cm)
	Housing Length	9 3/4 in (24.8 cm)
Housing Width	9 1/2 in (24.1 cm)	
Housing Depth	6 3/8 in (16.2 cm)	

LIGHTING MODELS	
Models	RVL90, RVLH90
Brightness (lumens)	900, 1000, or 1000L
Color Temp (kelvin)	2700, 4000, or 5000K
Power (watts)	13W

performance at 4" ducting

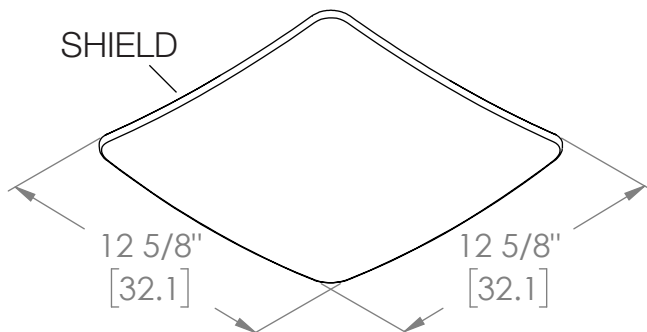
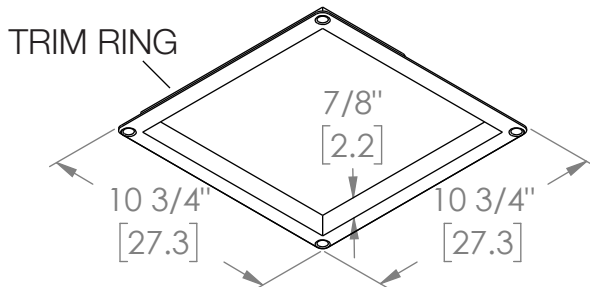
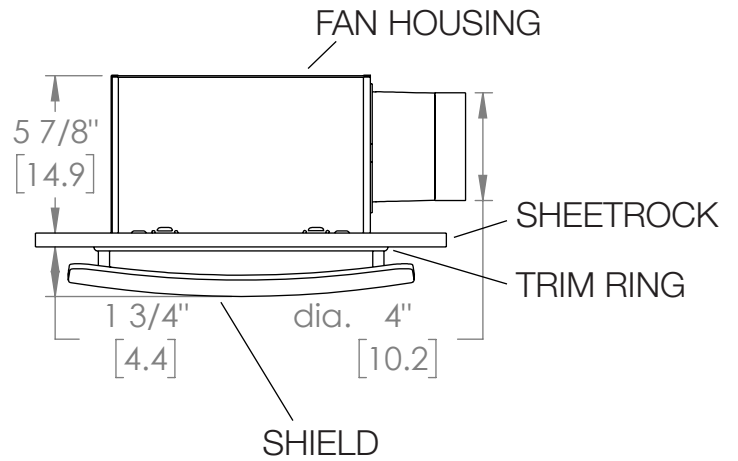
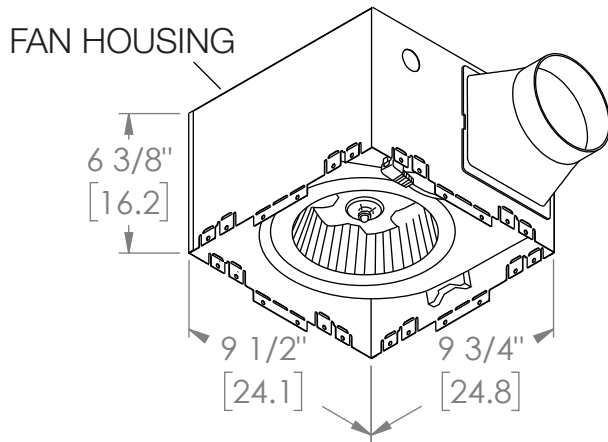
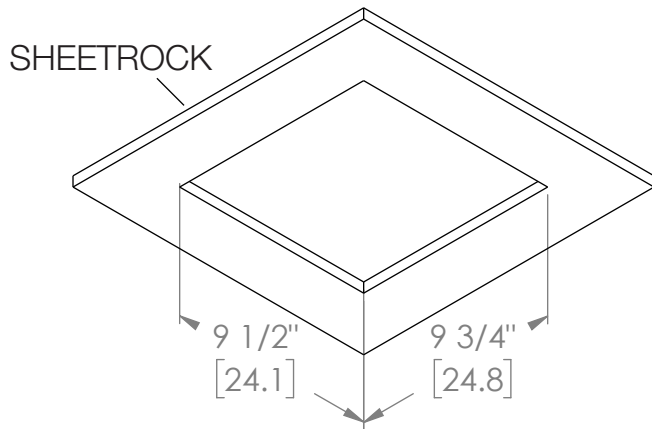
Static Pressure (in wg)	Airflow (cfm)	Sound (sones)	Energy (watts)	Duct Size
RVS90, RVSH90				
0.1	90	0.7	23.2	4 in
0.25	73		22.1	4 in
RVL90, RVLH90				
0.1	90	0.7	23.2	4 in
0.25	73		22.3	4 in

Product of GTR Technologies Inc. All rights reserved.
USA Patent No. US 9,360,228 B2. Other USA and international patents pending.

1-360-876-2974
1420 Lumsden Road
Port Orchard, WA 98367

May be used to comply with





ReVent®
Ventilation Fans

THIS DRAWING IS THE PROPERTY OF GTR TECHNOLOGY INC. AND TRANSMITTED IN CONFIDENCE. THE REPRODUCTION, USE, OR DISCLOSURE, IN WHOLE OR IN PART, OF THE DESIGN AND DETAILS CONTAINED HEREIN IS PROHIBITED WITHOUT THE WRITTEN PERMISSION OF GTR TECHNOLOGY INC.

PART #

**RVS90, RVL90,
RVSH90, RVLH90**

ReVent®

Ventilation Fans

110 CFM

ReVent Ventilation Fan

Model - RVS110

Performance - High airflow 110 CFM, low sound 0.9 sone



ReVent with LED Lighting

Model - RVL110

Performance - High airflow 110 CFM, low sound 0.8 sone

LED - Pure white, 900L, 1000L, 1000L, 2.7K, 4K, 5K, dimmable




ReVent with Humidity Sensing

Model - RVSH110

Performance - High airflow 110 CFM, low sound 0.9 sone

Humidity - Automatically turns fan on when moisture is present and off when dry 

Min/Hour Timer - Can be set 0-60 minutes, runs fan for set time every hour 



ReVent with LED Lighting and Humidity Sensing

Model - RVLH110

Performance - High airflow 110 CFM, low sound 0.8 sone

LED - Pure white, 900L, 1000L, 1000L, 2.7K, 4K, 5K, dimmable

Humidity - Automatically turns fan on when moisture is present and off when dry 

Min/Hour Timer - Can be set 0-60 minutes, runs fan for set time every hour 



SPECIFICATIONS	Models	RVS110, RVL110, RVSH110, RVLH110
	Exhaust Diameter	4 in (10.2 cm)
	Voltage (volts)	120V
	Frequency (hertz)	60Hz
	Power (watts)	30W (non-lighting), 29.9 W (lighting)
	Air Flow at 0.1 CW	110 CFM
	Noise (sones)	0.9 Sone (non-lighting), 0.8 Sone (lighting)
	Shield Size	12 5/8 x 12 5/8 in (32.1 x 32.1 cm)
	Opening Length	9 3/4 in (24.8 cm)
	Opening Width	9 1/2 in (24.1 cm)
	Housing Length	9 3/4 in (24.8 cm)
Housing Width	9 1/2 in (24.1 cm)	
Housing Depth	6 3/8 in (16.2 cm)	

LIGHTING MODELS	
Models	RVL110, RVLH110
Brightness (lumens)	900, 1000, or 1000L
Color Temp (kelvin)	2700, 4000, or 5000K
Power (watts)	13W

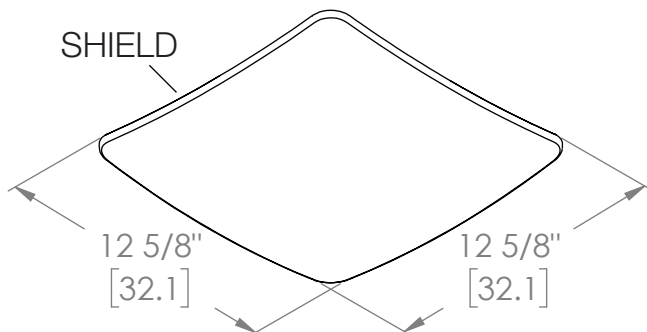
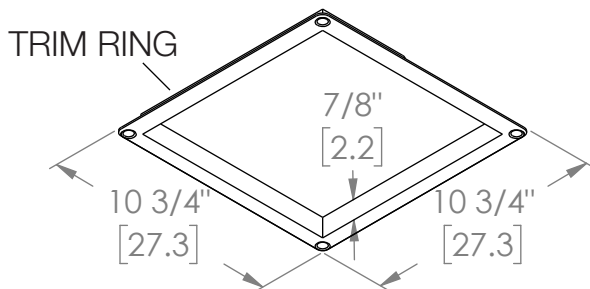
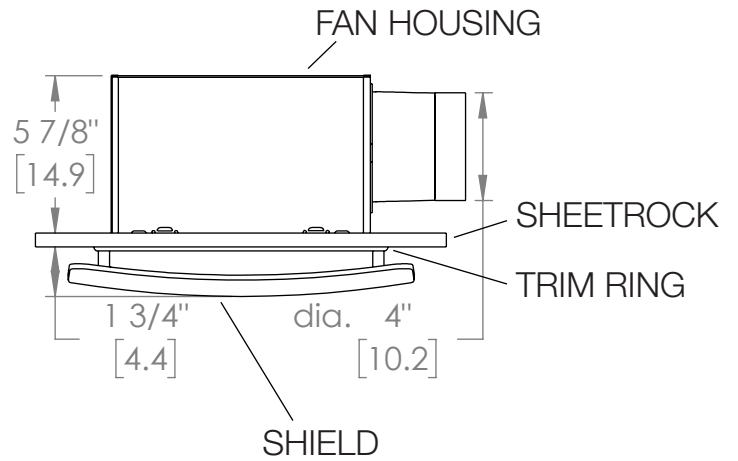
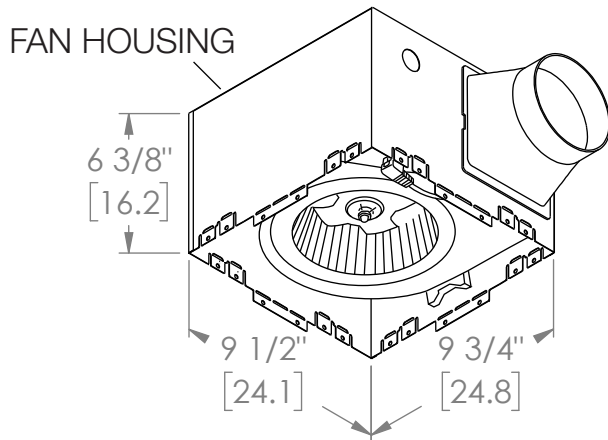
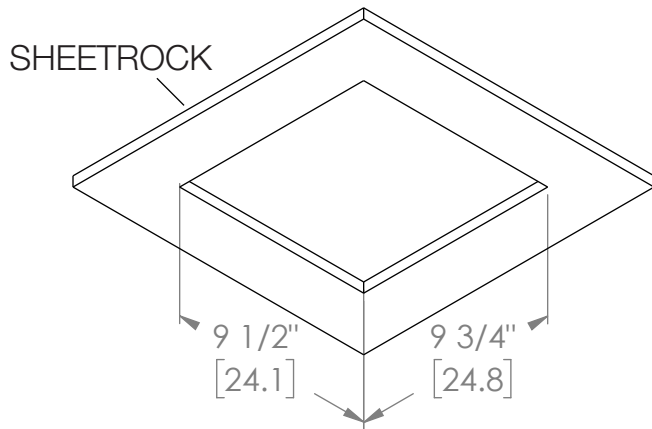
performance at 4" ducting				
Static Pressure (in wg)	Airflow (cfm)	Sound (sones)	Energy (watts)	Duct Size
RVS110, RVSH110				
0.1	110	0.9	30	4 in
0.25	96		29.3	4 in
RVL110, RVLH110				
0.1	110	0.8	29.9	4 in
0.25	96		29.2	4 in

Product of GTR Technologies Inc. All rights reserved.
USA Patent No. US 9,360,228 B2. Other USA and international patents pending.

1-360-876-2974
1420 Lumsden Road
Port Orchard, WA 98367

May be used to comply with





ReVent®
Ventilation Fans

THIS DRAWING IS THE PROPERTY OF GTR TECHNOLOGY INC. AND TRANSMITTED IN CONFIDENCE. THE REPRODUCTION, USE, OR DISCLOSURE, IN WHOLE OR IN PART, OF THE DESIGN AND DETAILS CONTAINED HEREIN IS PROHIBITED WITHOUT THE WRITTEN PERMISSION OF GTR TECHNOLOGY INC.

PART #

**RVS110, RVL110,
RVSH110, RVLH110**

ReVent®

Ventilation Fans

130 CFM

ReVent Ventilation Fan

Model - RVS130

Performance - High airflow 130 CFM, low sound 0.9 sone



ReVent with LED Lighting

Model - RVL130

Performance - High airflow 130 CFM, low sound 0.9 sone

LED - Pure white, 900L, 1000L, 1000L, 2.7K, 4K, 5K, dimmable




ReVent with Humidity Sensing

Model - RVSH130

Performance - High airflow 130 CFM, low sound 0.9 sone

Humidity - Automatically turns fan on when moisture is present and off when dry 

Min/Hour Timer - Can be set 0-60 minutes, runs fan for set time every hour 



ReVent with LED Lighting and Humidity Sensing

Model - RVLH130

Performance - High airflow 130 CFM, low sound 0.9 sone

LED - Pure white, 900L, 1000L, 1000L, 2.7K, 4K, 5K, dimmable

Humidity - Automatically turns fan on when moisture is present and off when dry 

Min/Hour Timer - Can be set 0-60 minutes, runs fan for set time every hour 



SPECIFICATIONS	Models	RVS130, RVL130, RVSH130, RVLH130
	Exhaust Diameter	6 in (15.24 cm)
	Voltage (volts)	120V
	Frequency (hertz)	60Hz
	Power (watts)	32.2W
	Air Flow at 0.1 CW	130 CFM
	Noise (sones)	0.9 Sone (non-lighting), 0.8 Sone (lighting)
	Shield Size	13 3/8" x 13 3/8" in (34 x 34 cm)
	Opening Length	10 1/2" in (26.7 cm)
	Opening Width	10 1/2" in (26.7 cm)
	Housing Length	10 1/2" in (26.7 cm)
Housing Width	10 1/2" in (26.7 cm)	
Housing Depth	6 3/4" in (17.1 cm)	

LIGHTING MODELS	
Models	RVL130, RVLH130
Brightness (lumens)	900, 1000, or 1000L
Color Temp (kelvin)	2700, 4000, or 5000K
Power (watts)	14W

performance at 6" ducting

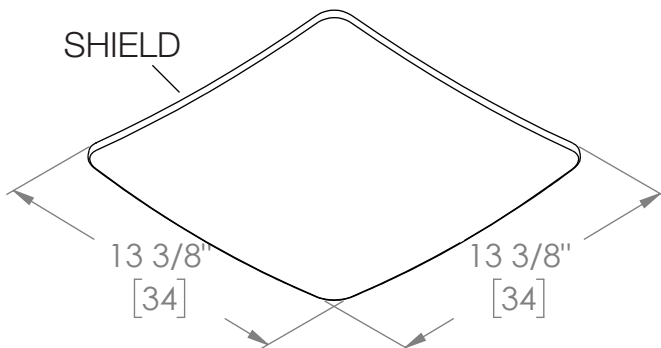
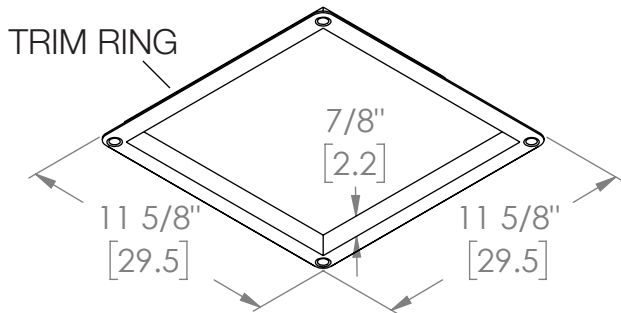
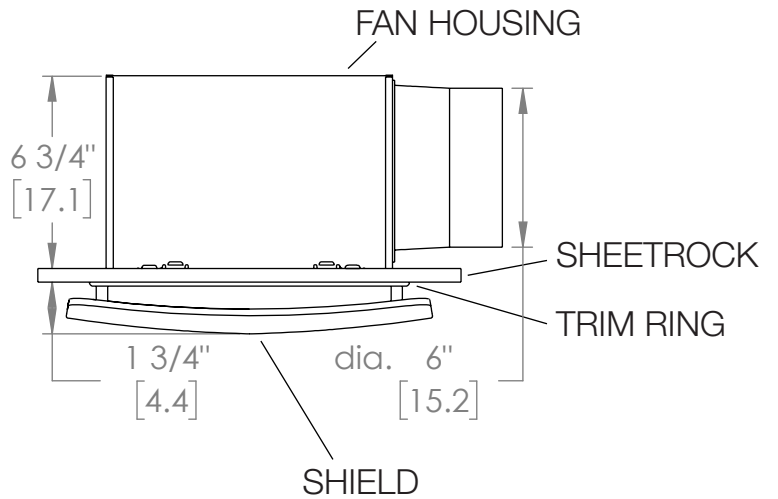
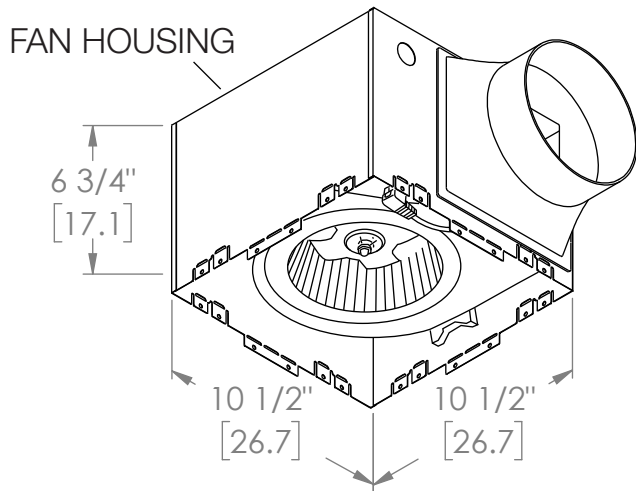
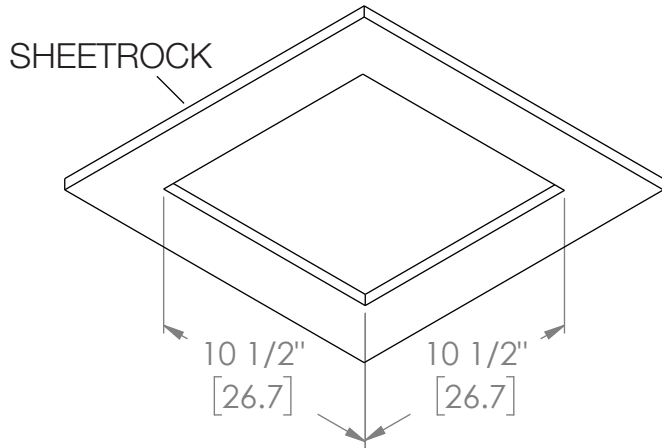
Static Pressure (in wg)	Airflow (cfm)	Sound (sones)	Energy (watts)	Duct Size
RVS130, RVSH130				
0.1	130	0.9	32.2	6 in
0.25	91		30.8	6 in
RVL130, RVLH130				
0.1	130	0.8	32.2	6 in
0.25	93		30.9	6 in

Product of GTR Technologies Inc. All rights reserved.
USA Patent No. US 9,360,228 B2. Other USA and international patents pending.

1-360-876-2974
1420 Lumsden Road
Port Orchard, WA 98367

May be used to comply with





ReVent®
Ventilation Fans

THIS DRAWING IS THE PROPERTY OF GTR TECHNOLOGY INC. AND TRANSMITTED IN CONFIDENCE. THE REPRODUCTION, USE, OR DISCLOSURE, IN WHOLE OR IN PART, OF THE DESIGN AND DETAILS CONTAINED HEREIN IS PROHIBITED WITHOUT THE WRITTEN PERMISSION OF GTR TECHNOLOGY INC.

PART #
**RVS130, RVL130,
RVSH130, RVLH130**

ReVent®

Ventilation Fans

150 CFM

ReVent Ventilation Fan

Model - RVS150

Performance - High airflow 150 CFM, low sound 1.3 sone



ReVent with LED Lighting

Model - RVL150

Performance - High airflow 150 CFM, low sound 1.2 sone

LED - Pure white, 900L, 1000L, 1000L, 2.7K, 4K, 5K, dimmable



ReVent with Humidity Sensing

Model - RVSH150

Performance - High airflow 150 CFM, low sound 1.3 sone

Humidity - Automatically turns fan on when moisture is present and off when dry

Min/Hour Timer - Can be set 0-60 minutes, runs fan for set time every hour



ReVent with LED Lighting and Humidity Sensing

Model - RVLH150

Performance - High airflow 150 CFM, low sound 1.2 sone

LED - Pure white, 900L, 1000L, 1000L, 2.7K, 4K, 5K, dimmable

Humidity - Automatically turns fan on when moisture is present and off when dry

Min/Hour Timer - Can be set 0-60 minutes, runs fan for set time every hour



SPECIFICATIONS	Models	RVS150, RVL150, RVSH150, RVLH150
	Exhaust Diameter	6 in (15.24 cm)
	Voltage (volts)	120V
	Frequency (hertz)	60Hz
	Power (watts)	37.5W
	Air Flow at 0.1 CW	150 CFM
	Noise (sones)	1.3 Sone (non-lighting), 1.2 Sone (lighting)
	Shield Size	13 3/8" x 13 3/8" in (34 x 34 cm)
	Opening Length	10 1/2" in (26.7 cm)
	Opening Width	10 1/2" in (26.7 cm)
	Housing Length	10 1/2" in (26.7 cm)
Housing Width	10 1/2" in (26.7 cm)	
Housing Depth	6 3/4" in (17.1 cm)	

LIGHTING MODELS	
Models	RVL150, RVLH150
Brightness (lumens)	900, 1000, or 1000L
Color Temp (kelvin)	2700, 4000, or 5000K
Power (watts)	14W

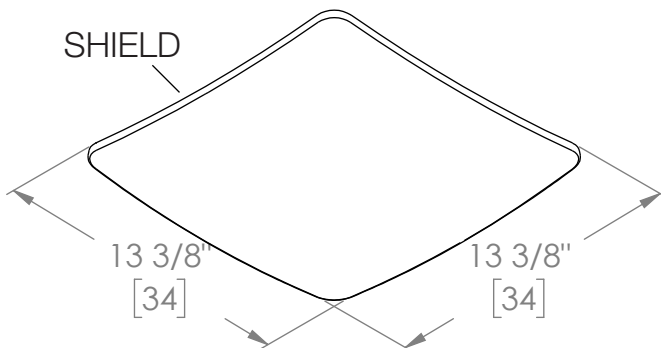
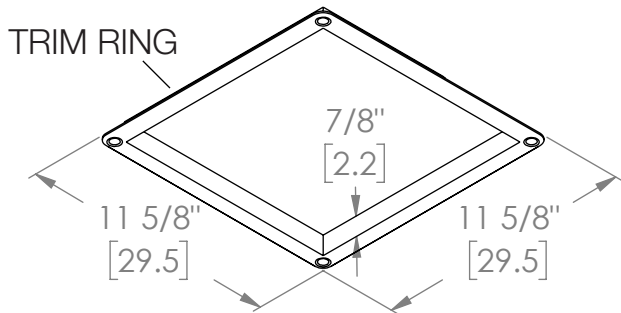
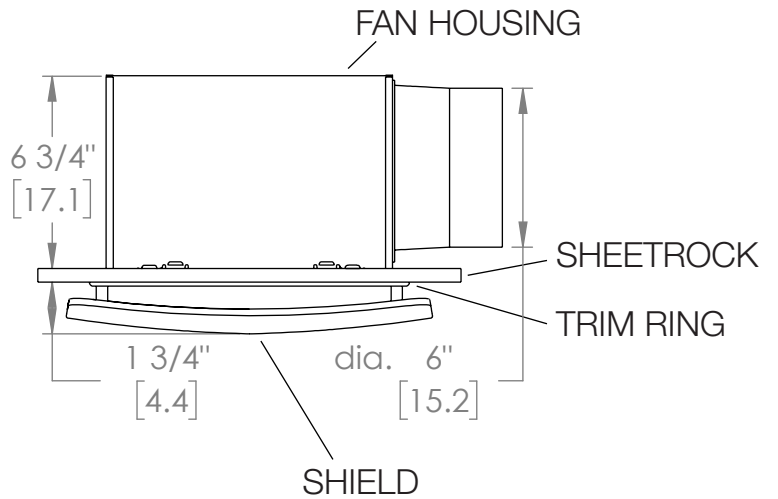
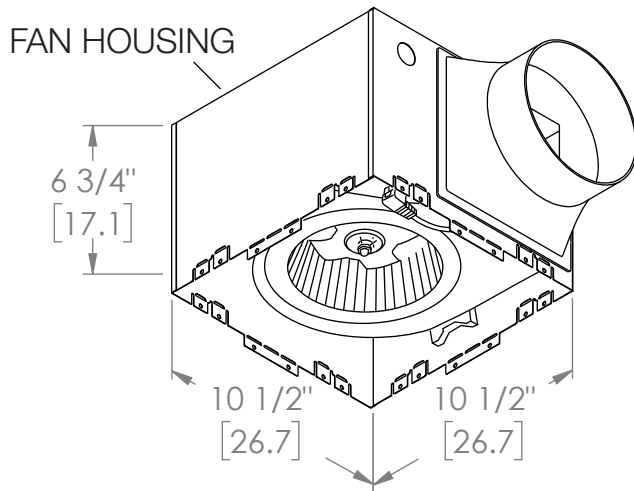
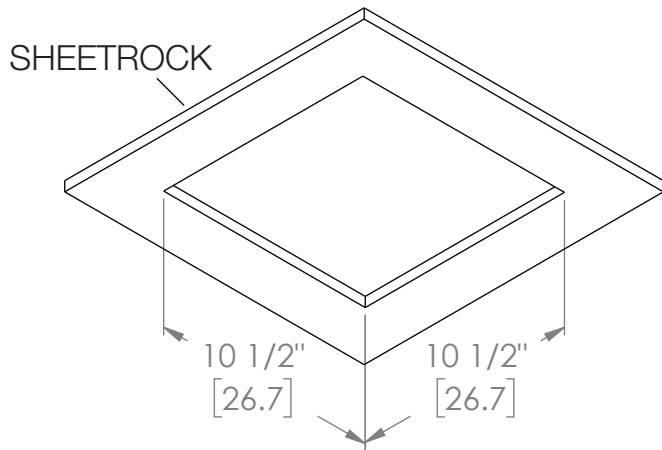
performance at 6" ducting				
Static Pressure (in wg)	Airflow (cfm)	Sound (sones)	Energy (watts)	Duct Size
RVS150, RVSH150				
0.1	150	1.3	37.5	6 in
0.25	116		36.7	6 in
RVL150, RVLH150				
0.1	150	1.2	37.5	6 in
0.25	111		36.7	6 in

Product of GTR Technologies Inc. All rights reserved.
USA Patent No. US 9,360,228 B2. Other USA and international patents pending.

1-360-876-2974
1420 Lumsden Road
Port Orchard, WA 98367

May be used to comply with





ReVent®
Ventilation Fans

THIS DRAWING IS THE PROPERTY OF GTR TECHNOLOGY INC. AND TRANSMITTED IN CONFIDENCE. THE REPRODUCTION, USE, OR DISCLOSURE, IN WHOLE OR IN PART, OF THE DESIGN AND DETAILS CONTAINED HEREIN IS PROHIBITED WITHOUT THE WRITTEN PERMISSION OF GTR TECHNOLOGY INC.

PART #
**RVS150, RVL150,
RVSH150, RVLH150**