

ReVent®

Ventilation Fans

80 CFM

ReVent Ventilation Fan

Model - RVS80



Performance - High airflow 80 CFM, low sound 0.7 sones

Contractor 4-Packs -
Rough In RVS80-4PR
Finish RVS80-4PF

ReVent with LED Lighting

Model - RVL80



Performance - High airflow 80 CFM, low sound 0.8 sones

LED - Adjustable, 900L, 1000L, 1000L, 2.7K, 4K, 5K, dimmable


ReVent with Humidity Sensing

Model - RVSH80



Performance - High airflow 80 CFM, low sound 0.7 sones

Humidity - Automatically turns fan on when moisture is present and off when dry 

Min/Hour Timer - Can be set 0-60 minutes, runs fan for set time every hour 

ReVent with LED Lighting and Humidity Sensing

Model - RVLH80



Performance - High airflow 80 CFM, low sound 0.8 sones

LED - Adjustable, 900L, 1000L, 1000L, 2.7K, 4K, 5K, dimmable

Humidity - Automatically turns fan on when moisture is present and off when dry 

Min/Hour Timer - Can be set 0-60 minutes, runs fan for set time every hour 

SPECIFICATIONS	Models	RVS80, RVL80, RVSH80, RVLH80
	Exhaust Diameter	4 in (10.2 cm)
	Voltage (volts)	120V
	Frequency (hertz)	60Hz
	Power (watts)	19.9 W (non-lighting), 20 W (lighting)
	Air Flow at 0.1 CW	80 CFM
	Noise (sones)	0.7 Sones (non-lighting), 0.8 Sones (lighting)
	Shield Size	11 x 11 in (27.9 x 27.9 cm)
	Opening Length	8 3/8 in (21.3 cm)
	Opening Width	7 7/8 in (20 cm)
	Housing Length	8 3/8 in (21.3 cm)
Housing Width	7 7/8 in (20 cm)	
Housing Depth	5 1/8 in (13 cm)	

LIGHTING MODELS	
Models	RVL80, RVLH80
Brightness (lumens)	900, 1000, or 1000L
Color Temp (kelvin)	2700, 4000, or 5000K
Power (watts)	13W

performance at 4" ducting

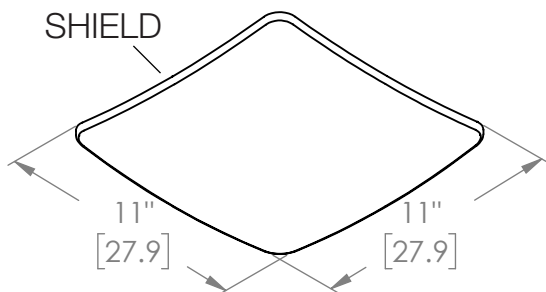
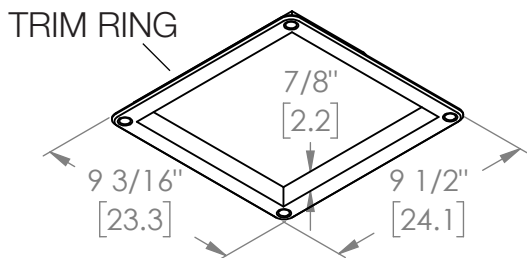
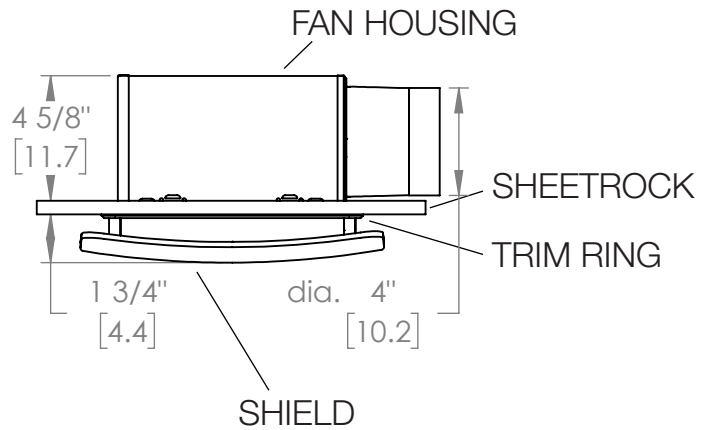
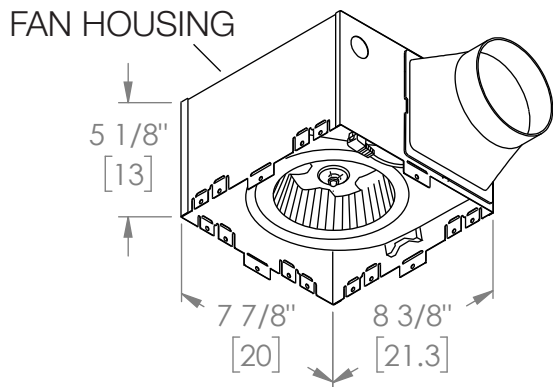
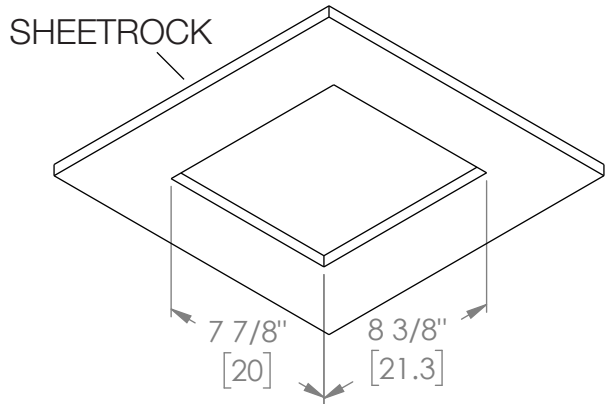
Static Pressure (in wg)	Airflow (cfm)	Sound (sones)	Energy (watts)	Duct Size
RVS80, RVSH80				
0.1	80	0.7	19.9	4 in
0.25	63		19.6	4 in
RVL80, RVLH80				
0.1	80	0.8	20	4 in
0.25	63		19.5	4 in

Product of GTR Technologies Inc. All rights reserved.
USA Patent No. US 9,360,228 B2. Other USA and international patents pending.

1-360-876-2974
1420 Lumsden Road
Port Orchard, WA 98367

May be used to comply with





ReVent®
Ventilation Fans

THIS DRAWING IS THE PROPERTY OF GTR TECHNOLOGY INC. AND TRANSMITTED IN CONFIDENCE. THE REPRODUCTION, USE, OR DISCLOSURE, IN WHOLE OR IN PART, OF THE DESIGN AND DETAILS CONTAINED HEREIN IS PROHIBITED WITHOUT THE WRITTEN PERMISSION OF GTR TECHNOLOGY INC.

PART #

**RVS80, RVL80,
RVSH80, RVLH80**

Model: RVS80-4PR

Contractor Pack: Rough In Pack

Packaging - Box of 4



4 - Fan Housings



4 - Paint and Texture Masks



4 - Mounting Bracket Sets



4 - 4" to 6" Duct Adaptors

Model: RVS80-4PF

Contractor Pack: Finish Pack

Packaging - Box of 4



4 - Shields, Trim Rings, Motors



4 - Manuals



4 - Screw Kits



4 - Shields



4 - Motors