

ReVent®

Ventilation Fans

90 CFM

ReVent Ventilation Fan

Model - RVS90

Performance - High airflow 90 CFM, low sound 0.7 sones



ReVent with LED Lighting

Model - RVL90

Performance - High airflow 90 CFM, low sound 0.7 sones

LED - Pure white, 900L, 1000L, 1000L, 2.7K, 4K, 5K, dimmable




ReVent with Humidity Sensing

Model - RVSH90

Performance - High airflow 90 CFM, low sound 0.7 sones

Humidity - Automatically turns fan on when moisture is present and off when dry 

Min/Hour Timer - Can be set 0-60 minutes, runs fan for set time every hour 



ReVent with LED Lighting and Humidity Sensing

Model - RVLH90

Performance - High airflow 90 CFM, low sound 0.7 sones

LED - Pure white, 900L, 1000L, 1000L, 2.7K, 4K, 5K, dimmable

Humidity - Automatically turns fan on when moisture is present and off when dry 

Min/Hour Timer - Can be set 0-60 minutes, runs fan for set time every hour 



SPECIFICATIONS	Models	RVS90, RVL90, RVSH90, RVLH90
	Exhaust Diameter	4 in (10.2 cm)
	Voltage (volts)	120V
	Frequency (hertz)	60Hz
	Power (watts)	23.2W
	Air Flow at 0.1 CW	90 CFM
	Noise (sones)	0.7 Sones
	Shield Size	12 5/8 x 12 5/8 in (32.1 x 32.1 cm)
	Opening Length	9 3/4 in (24.8 cm)
	Opening Width	9 1/2 in (24.1 cm)
	Housing Length	9 3/4 in (24.8 cm)
Housing Width	9 1/2 in (24.1 cm)	
Housing Depth	6 3/8 in (16.2 cm)	

LIGHTING MODELS	
Models	RVL90, RVLH90
Brightness (lumens)	900, 1000, or 1000L
Color Temp (kelvin)	2700, 4000, or 5000K
Power (watts)	13W

performance at 4" ducting

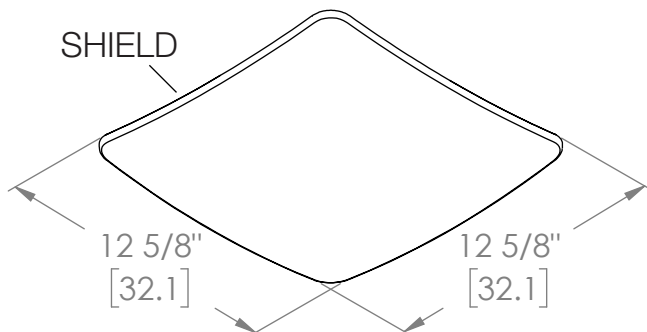
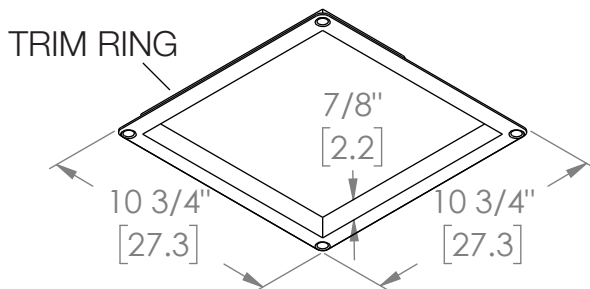
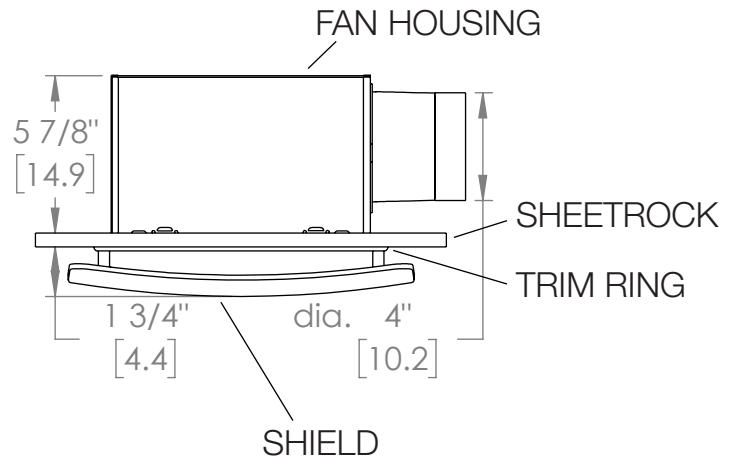
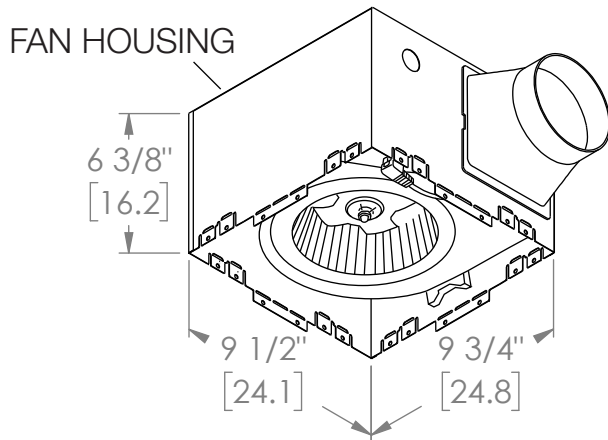
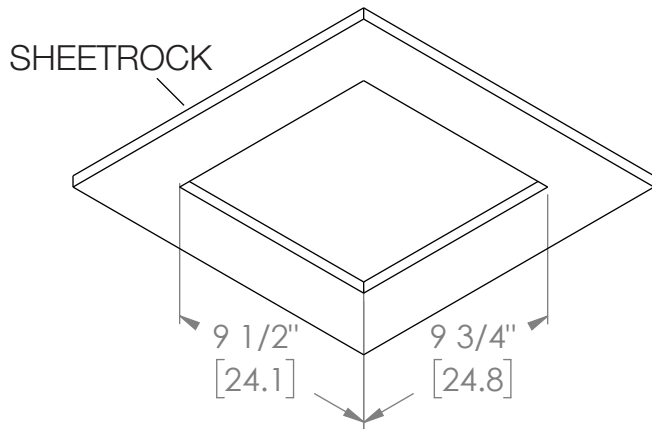
Static Pressure (in wg)	Airflow (cfm)	Sound (sones)	Energy (watts)	Duct Size
RVS90, RVSH90				
0.1	90	0.7	23.2	4 in
0.25	73		22.1	4 in
RVL90, RVLH90				
0.1	90	0.7	23.2	4 in
0.25	73		22.3	4 in

Product of GTR Technologies Inc. All rights reserved.
USA Patent No. US 9,360,228 B2. Other USA and international patents pending.

1-360-876-2974
1420 Lumsden Road
Port Orchard, WA 98367

May be used to comply with





ReVent®
Ventilation Fans

THIS DRAWING IS THE PROPERTY OF GTR TECHNOLOGY INC. AND TRANSMITTED IN CONFIDENCE. THE REPRODUCTION, USE, OR DISCLOSURE, IN WHOLE OR IN PART, OF THE DESIGN AND DETAILS CONTAINED HEREIN IS PROHIBITED WITHOUT THE WRITTEN PERMISSION OF GTR TECHNOLOGY INC.

PART #

**RVS90, RVL90,
RVSH90, RVLH90**