

# RADIATION DAMPER FOR VENTILATION FANS

## SPECIFICATION SHEET

Radiation damper for use with ReVent ventilation fans (fan sold separately).

### FEATURES

- For use in 1, 2 and 3 hour rated floor-ceiling and roof-ceiling constructions
- Galvanized steel frame
- High temperature, non-asbestos, reinforced fiber thermal fabric
- Stainless steel closure springs
- 165°F fusible link
- Separate outer frame allows complete fan and damper serviceability without disturbing the surrounding ceiling material
- Includes light jumper cable
- Meets or exceeds NFPA-90A
- UL Classified (UL-555C)

### TYPICAL SPECIFICATION

Radiation damper RVFD50, RVFD80 and RVFD110 are suitable for use with the ventilation fan models listed below:

Radiation damper RVFD50 for use with the following ventilation fan models:

**ReVent** RVS50, RVSH50, RVL50, RVLH50

Radiation damper RVFD80 for use with the following ventilation fan models:

**ReVent** RVS80, RVSH80, RVL80, RVLH80

Radiation damper RVFD110 for use with the following ventilation fan models:

**ReVent** RVS110, RVSH110, RVL110, RVLH110

Radiation damper rated for use in up to three hour ceiling constructions. UL Classified (UL-555C) and meets or exceeds NFPA-90A.



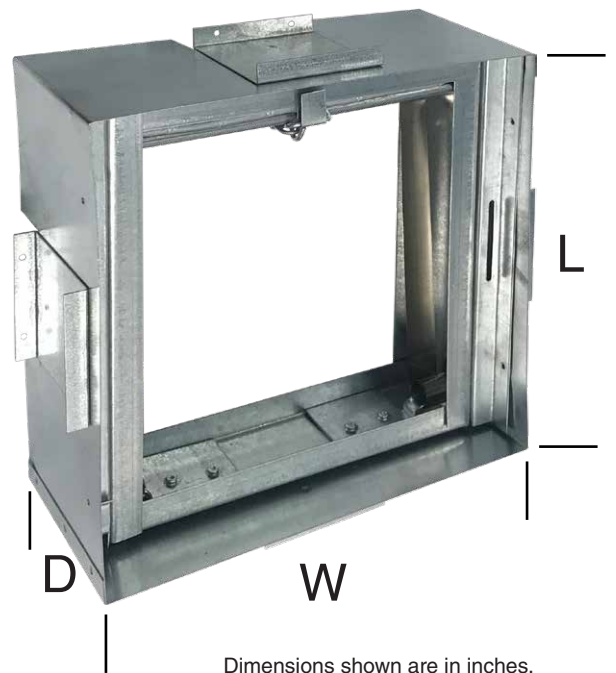
SEE DETAILS ON  
UL CLASSIFICATION  
MARKING ON PRODUCT

Product of GTR Technologies Inc. All rights reserved.

1-360-876-2974  
1420 Lumsden Road  
Port Orchard, WA 98367

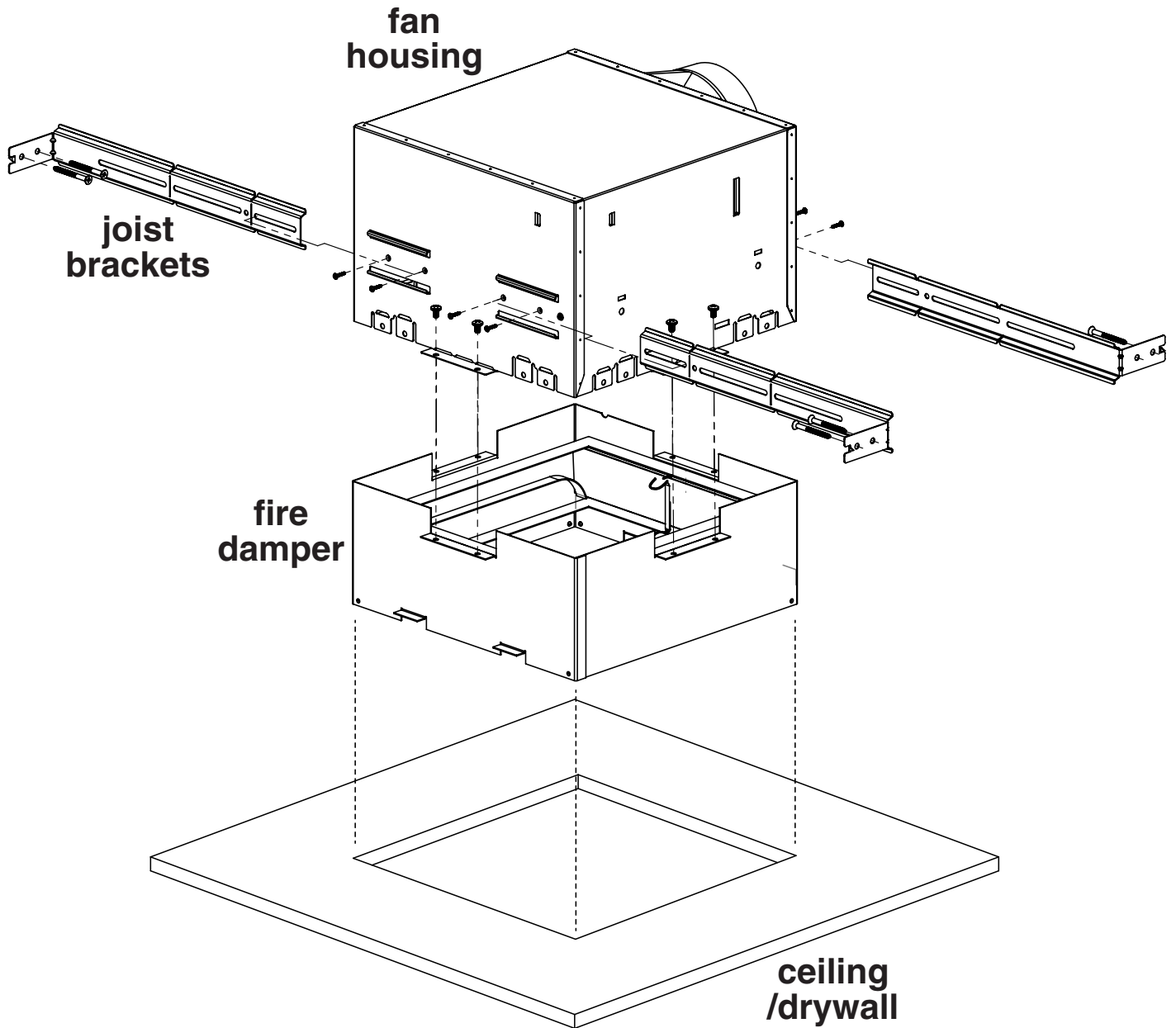
### MODELS

# RVFD50 RVFD80 RVFD110



PART #	L	W	D
RVFD50	7 1/2"	7 1/4"	4"
RVFD80	8 3/8"	7 7/8"	4"
RVFD110	9 3/4"	9 1/2"	4"

## FIRE DAMPER ASSEMBLY



Product of GTR Technologies Inc. All rights reserved.

1-360-876-2974  
1420 Lumsden Road  
Port Orchard, WA 98367